

Aluminum Pole Slipfitters for mounting fixtures or boxes to top of poles or posts. 1/2" top tap standard. 3/4" top tap on R5-3/4 and R7-3/4 only. Set screws provided.

Color: Natural

Weight: 0.2 lbs

Project:	Type:
Prepared By:	Date:

**Technical Specifications**

**Compliance**

**UL Listed:**

Suitable for wet locations

**Other**

**Outlet Box Construction:**

Precision die cast aluminum

**Buy American Act Compliance:**

RAB values USA manufacturing! Upon request, RAB may be able to manufacture this product to be compliant with the Buy American Act (BAA). Please contact customer service to request a quote for the product to be made BAA compliant.

**Construction**

**Outlet Box Mounting Lugs:**

16 gauge corrosion protected steel with Phillips Flat head mounting screws

**Ground Screw:**

#10-24 Green corrosion protected steel slotted hex washer head screw provided in pre-tapped hole

**Fits Pipe:**

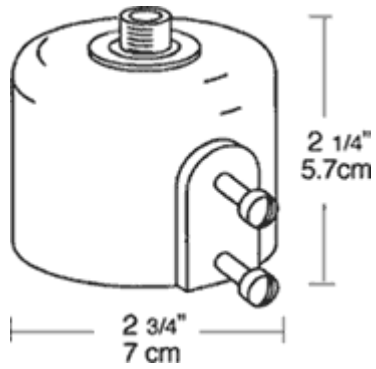
2"

**Pipe O.D.:**

2 3/8

**Material:**

Aluminum

**Dimensions****Features**

- Heavy die cast aluminum
- Set screws provided