

# CURV Field-Adjustable Surface Mount



CRVFAD

## CRVFAD Decorative Flush Mount



PROJECT: \_\_\_\_\_

DATE: \_\_\_\_\_

TYPE: \_\_\_\_\_

PREPARED BY: \_\_\_\_\_



### KEY FEATURES

- Twin ring decorative design to upgrade traditional fixtures
- 5 Selectable color temperatures (2700/3000/3500/4000/5000K)
- Available with 120V or 120-277V driver with options for TRIAC or 0-10V dimming
- Motion sensor and emergency battery backup versions available
- Multiple sizes, 12", 14", and 18"
- Uniform glare-free light distribution
- Ideal for hospitality and multi-family residential applications
- Suitable for wet locations
- 50,000-Hour lifespan
- 5 Year, No-Compromise Warranty

### PERFORMANCE

Catalog Number	Size	Equivalency	Input Wattage	Input Voltage	Lumens	Efficacy	L70 Lifespan	Dimming Protocol	Emergency Battery	Sensor
CRVFAD-12R-16-9CCT-120-BN	12"	75W Incandescent	16W	120V	1,100 lm	69 lm/W	50,000	TRIAC/ELV	---	---
CRVFAD-12R-16-9CCT-UNV-BN				120-277V	1,120 lm	70 lm/W	50,000	0-10V	---	---
CRVFAD-12R-16-9CCT-UNV-BN/MVS				120-277V	1,100 lm	69 lm/W	50,000	0-10V	---	Microwave
CRVFAD-12R-16-9CCT-UNVT-BN/EM				120-277V	1,120 lm	70 lm/W	50,000	TRIAC/ELV	Yes	---
CRVFAD-12R/MVS/EM				120-277V	1,100 lm	69 lm/W	50,000	0-10V	Yes	Microwave
CRVFAD-14R-20-9CCT-120-BN	14"	125W Incandescent	20W	120V	1,400 lm	70 lm/W	50,000	TRIAC/ELV	---	---
CRVFAD-14R-20-9CCT-UNV-BN				120-277V	1,400 lm	70 lm/W	50,000	0-10V	---	---
CRVFAD-14R-20-9CCT-UNV-BN/MVS				120-277V	1,400 lm	70 lm/W	50,000	0-10V	---	Microwave
CRVFAD-14R-20-9CCT-UNVT-BN/EM				120-277V	1,400 lm	70 lm/W	50,000	TRIAC/ELV	Yes	---
CRVFAD-14R/MVS/EM				120-277V	1,400 lm	70 lm/W	50,000	0-10V	Yes	Microwave
CRVFAD-18R-32-9CCT-120-BN	18"	150W Incandescent	32W	120V	2,200 lm	69 lm/W	50,000	TRIAC/ELV	---	---
CRVFAD-18R-32-9CCT-UNV-BN				120-277V	2,200 lm	69 lm/W	50,000	0-10V	---	---
CRVFAD-18R-32-9CCT-UNV-BN/MVS				120-277V	2,200 lm	69 lm/W	50,000	0-10V	---	Microwave
CRVFAD-18R-32-9CCT-UNV-BN/EM				120-277V	2,200 lm	69 lm/W	50,000	0-10V	Yes	---
CRVFAD-18R/MVS/EM				120-277V	2,200 lm	69 lm/W	50,000	0-10V	Yes	Microwave

# CURV Field-Adjustable Surface Mount



## TECHNICAL SPECIFICATIONS

### CONSTRUCTION

<b>Product Type</b>	<b>Flush mount</b>	<b>Lens</b>	Frosted Polycarbonate with smooth diffuse illumination
<b>Fixture Shape</b>	Round	<b>Beam Angle</b>	130°
<b>Fixture Housing</b>	Metal decorative twin ring design		
<b>Fixture Finish</b>	Brushed Nickel		

### INSTALLATION

**Mounting**  
Surface mount directly to junction box using key holes located on fixture housing

### ELECTRICAL

<b>THD</b>	≤20%
<b>Power Factor</b>	≥0.9
<b>Input Voltage</b>	120V; 120-277V
<b>Operating Frequency</b>	50/60Hz
<b>Operating Temperature</b>	-4°F to 104°F (-20°C to 40°C)

### COMPLIANCE

<b>Listing</b>	UL Listed
<b>Environment Rating</b>	Wet location
<b>IP Rating</b>	IP64
<b>T24 JA8 Compliant</b>	Can be used to conform with the requirements of California Title 24 Part 6
<b>FCC</b>	Complies with Part 15 of the FCC Rules.
<b>RoHS</b>	Mercury and UV free. RoHS-compliant components.

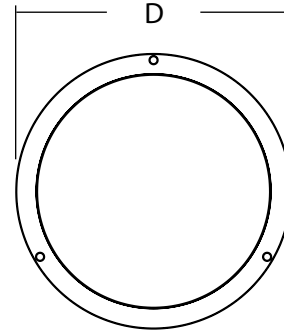
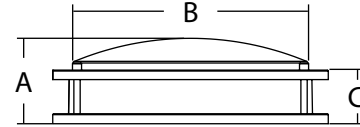
### OTHER

**Warranty**  
RAB warrants that our LED products will be free from defects in materials and workmanship for a period of five (5) years from the date of delivery to the end user, including coverage of light output, color stability, driver performance and fixture finish.

RAB's warranty is subject to all terms and conditions found at [rablighting.com/warranty](http://rablighting.com/warranty).

## DIMENSIONS

### CRVFAD 16/20/32W



CRVFAD	Weight	A	B	C	D
16W	2 lbs	3 3/4"	10 1/4"	2 3/8"	12"
20W	2.4 lbs	3 15/16"	12 1/4"	2 3/8"	14"
32W	4.4 lbs	4 3/8"	16 3/16"	2 1/2"	17 3/4"

## EMERGENCY BACKUP

Emergency Application		
Wattage	Time	Initial Lumen
4W	90 Minutes	320lm
8W	90 Minutes	650lm

SKUs	
Wattage	SKUs
4W	CRVFAD-12R-16-9CCT-UNVT-BN/EM CRVFAD-12R/MVS/EM
8W	CRVFAD-14R-20-9CCT-UNVT-BN/EM CRVFAD-14R/MVS/EM CRVFAD-18R-32-9CCT-UNV-BN/EM CRVFAD-18R/MVS/EM

# CURV Field-Adjustable Surface Mount



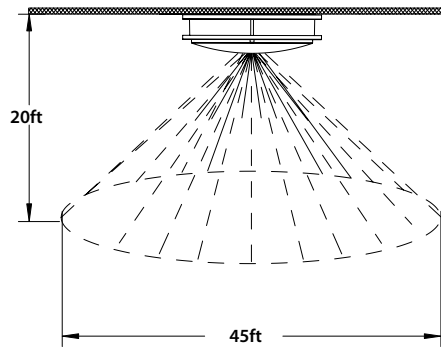
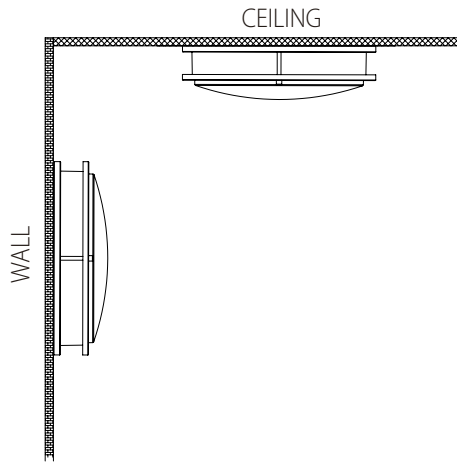
## PHOTOMETRIC DATA

Catalog Number	Rated Wattage (W)	CCT (K)	Lumens (lm)	Efficacy (lm/W)	EQ (W)	EM Mode Watt (W)	EM Mode Flux (lm)
CRVFAD-12R-16-9CCT-120-BN	16	2700	1100	68.8	75		
CRVFAD-12R-16-9CCT-UNV-BN		3000	1120	70.0			
CRVFAD-12R-16-9CCT-UNV-BN/MVS		3500	1150	72.0			
CURVD-12/LCBS/MVS		4000	1170	73.0			
		5000	1140	71.0			
CRVFAD-12R-16-9CCT-UNVT-BN/EM		2700	1159	66.6		8	653
CRVFAD-12R/MVS/EM		3000	1290	75.0		8	731
CURVD-12/LCBS/MVS/E		3500	1347	79.7		8	750
		4000	1357	79.3		8	743
		5000	1289	74.1		8	718
CRVFAD-14R-20-9CCT-120-BN	20	2700	1400	70.0	100		
CRVFAD-14R-20-9CCT-UNV-BN		3000	1440	72.0			
CRVFAD-14R-20-9CCT-UNV-BN/MVS		3500	1480	74.0			
CURVD-14/LCBS/MVS		4000	1500	75.0			
		5000	1460	73.0			
CRVFAD-14R-20-9CCT-UNVT-BN/EM		2700	1435	66.8		8	659
CRVFAS-14R/MVS/EM		3000	1593	74.8		8	733
CURVD-14/LCBS/MVS/E		3500	1678	80.7		8	754
		4000	1689	80.1		8	747
		5000	1604	74.6		8	721
CRVFAD-18R-32-9CCT-120-BN	32	2700	2240	70.0	150		
CRVFAD-18R-32-9CCT-UNV-BN		3000	2260	70.5			
CRVFAD-18R-32-9CCT-UNV-BN/MVS		3500	2300	72.0			
CURVD-18/LCBS/MVS		4000	2340	73.0			
		5000	2270	71.0			
CRVFAD-18R-32-9CCT-UNV-BN/EM		2700	2424	74.3		8	660
CRVFAD-18R/MVS/EM		3000	2602	80.1		8	743
CURVD-18/LCBS/MVS/E		3500	2780	87.7		8	763
		4000	2800	87.0		8	747
		5000	2693	82.6		8	735

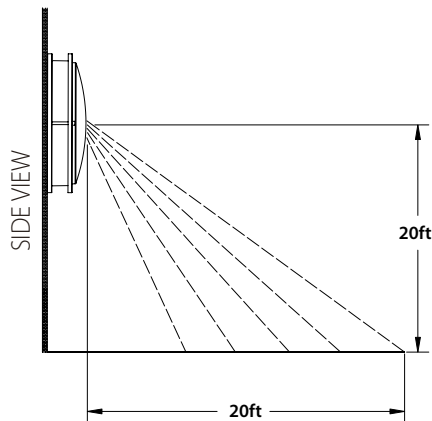
# CURV Field-Adjustable Surface Mount



## SENSOR DETECTION RANGE



Ceiling Mount



Wall Mount

## MICROWAVE OCCUPANCY SENSOR

The occupancy sensor default sensing will be automatically controlling the fixture to turn on or off. See factory settings below, optional remote sold separately for custom settings.

Catalog Number: **MSR1\*** (sold separately)

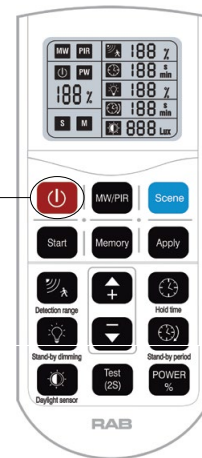
### Factory Settings:

- Brightness: **100%**
- Hold Time: **10 minutes**
- Sensitivity: **100%**
- Stand-by time: **+∞**
- Stand-by brightness: **50%**

\* Sensor settings for /LCB models must be adjusted using the Lightcloud Blue mobile app.

To disable the sensor, use the MSR1 remote (sold separately). Power on the fixture and press the Red power button twice to disable the sensor.

Red power button



# CURV Field-Adjustable Surface Mount



## ORDERING INFO

Catalog Number	UPC	Case Pack
CRVFAD-12R-16-9CCT-120-BN	192552003223	2
CRVFAD-12R-16-9CCT-UNV-BN	192552018630	2
CRVFAD-12R-16-9CCT-UNV-BN/MVS	192552003247	2
CRVFAD-12R-16-9CCT-UNVT-BN/EM	192552018609	2
CRVFAD-12R/MVS/EM	192552039833	2
CRVFAD-14R-20-9CCT-120-BN	192552013321	2
CRVFAD-14R-20-9CCT-UNV-BN	192552018647	2
CRVFAD-14R-20-9CCT-UNV-BN/MVS	192552013352	2
CRVFAD-14R-20-9CCT-UNVT-BN/EM	192552018616	2
CRVFAD-14R/MVS/EM	192552039840	2
CRVFAD-18R-32-9CCT-120-BN	192552003230	2
CRVFAD-18R-32-9CCT-UNV-BN	192552018654	2
CRVFAD-18R-32-9CCT-UNV-BN/MVS	192552003254	2
CRVFAD-18R-32-9CCT-UNV-BN/EM	192552018623	2
CRVFAD-18R/MVS/EM	192552043595	2

## ORDERING MATRIX

Family	Size	Shape	Wattage	CRI/Color Temp	Driver	Fixture Finish	Sensor
<b>CRVFAD</b>	-	R	-	9CCT		W	
	18 18"	R Round	32 32W	9CCT 90 CRI, CCT Selectable	120 120V	BN Brushed Nickel	Blank None
	14 14"		20 20W		UNV 120-277V		/MVS Microwave Sensor
	12 12"		16 16W				



Product Family	Size	Shape	CRI/Color Temp	Driver	Controls	Sensor
<b>CURVD</b>	-					
	18 18"	Blank Round	Blank 90 CRI, 5CCT Field Adjustable	Blank 120-277V	/LCBS Lightcloud Blue w/ MVS Sensor	/MVS Microwave Sensor
	14 14"					/MVS/E Microwave Sensor & Battery Backup
	12 12"					

# CURV Field-Adjustable Surface Mount



## Dimmer Compatibility List *\*(LCB models are not compatible with TRIAC/ELV or 0-10V dimmers).*

### TRIAC Dimming Models

Dimmers		# of Lamp Quantities				
Dimmer Brand	Dimmer Model	1	2	4	6	10
LUTRON	MACL-153M	✓	✓	✓	✓	✓
LUTRON	SCL-153P	✓	✓	✓	✓	✓
LEVITON	6674	✓	✓	✓	✓	✓
LUTRON	DVCL-153P	✓	✓	✓	✓	✓
LEVITON	6672	✓	✓	✓	✓	✓
LEGRAND	RHCL453PTC	✓	✓	✓	✓	✓
LEGRAND	DCL453PTCCCV6	✓	✓	✓	✓	✓
LEGRAND	HCL453PTCCCV6	✓	✓	✓	✓	✓
LUTRON	CTCL-153PDH-WH	✓	✓	✓	✓	✓
LUTRON	TGCL-153PH-WH	✓	✓	✓	✓	✓
LEVITON	R12-06672-1LW	✓	✓	✓	✓	✓
LEVITON	R50-IPL06-10M	✓	✓	✓	✓	✓
LUTRON	DVWCL-153PH-WH	✓	✓	✓	✓	✓

### 0-10V Dimming Models

	Dimmer Brand	Dimmer Model
0-10V	LEVITON	IP710-LFZ
	Easton/Cooper	DF10P-C1
	LUTRON	DVSTV-WH

Visit [www.rablighting.com](http://www.rablighting.com) for periodic updates to this list or contact us at 888-722-1000 for questions or comments.

*\*Motion sensor models are not dimming compatible*