

## NEW WORK CEILING FAN AND LIGHT FIXTURE BAR HANGER INSTRUCTION SHEET

Individual Cat. No

54151CFB-BHL..... New Work Bar Hanger with 1-1/2" Deep Box. (Metallic Ceiling Fan Box)

### READ ALL INSTRUCTIONS AND WARNINGS CAREFULLY BEFORE PROCEEDING!



#### WARNING



DISCONNECT THE ELECTRICAL CIRCUIT SUPPLYING POWER TO THE OUTLET PRIOR TO INSTALLATION.



#### CAUTION



TO PREVENT INJURY, THE HANGER MUST BE SECURELY INSTALLED IN ACCORDANCE WITH THESE INSTRUCTIONS BEFORE MOUNTING OR CONNECTING A CEILING FAN OR LIGHT FIXTURE.

AFTER INSTALLATION OF THE HANGER, BE SURE TO FOLLOW ALL MOUNTING INSTRUCTIONS WITH THE CEILING FAN OR LIGHT FIXTURES.



#### CAUTION



#### DO NOT EXCEED MAXIMUM WEIGHT RATINGS

FOR 16" SPANS  
MAX LIGHT FIXTURE = 200 LBS.  
MAX CEILING FAN = 70 LBS.

FOR 24" SPANS  
MAX LIGHT FIXTURE = 90 LBS.  
MAX CEILING FAN = 70 LBS.

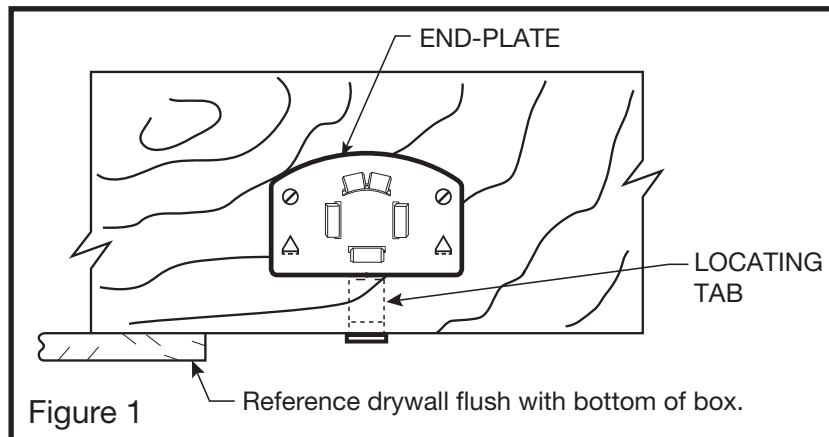
INSTALL THIS BAR HANGER SUPPORT ONLY IN ACCORDANCE WITH APPLICABLE NATIONAL AND LOCAL BUILDING AND ELECTRICAL CODES.

—CONSULT A QUALIFIED ELECTRICIAN IF YOU HAVE ANY QUESTIONS. —

IMPORTANT SAFETY NOTICE: USE ONLY METALLIC BOX AND SCREWS PROVIDED IN KIT. DO NOT SUBSTITUTE!

### INSTALLATION INSTRUCTIONS:

1. Expand the bar hanger to the length of spacing between the wood ceiling joists. If the drywall is 1/2" thick, the locating tabs on the end-plates can be used to position the hanger. If the drywall is thicker than 1/2", the locating tabs need to be broken off and the end plate is positioned to make the bottom of box flush with drywall. (See Figure 1).



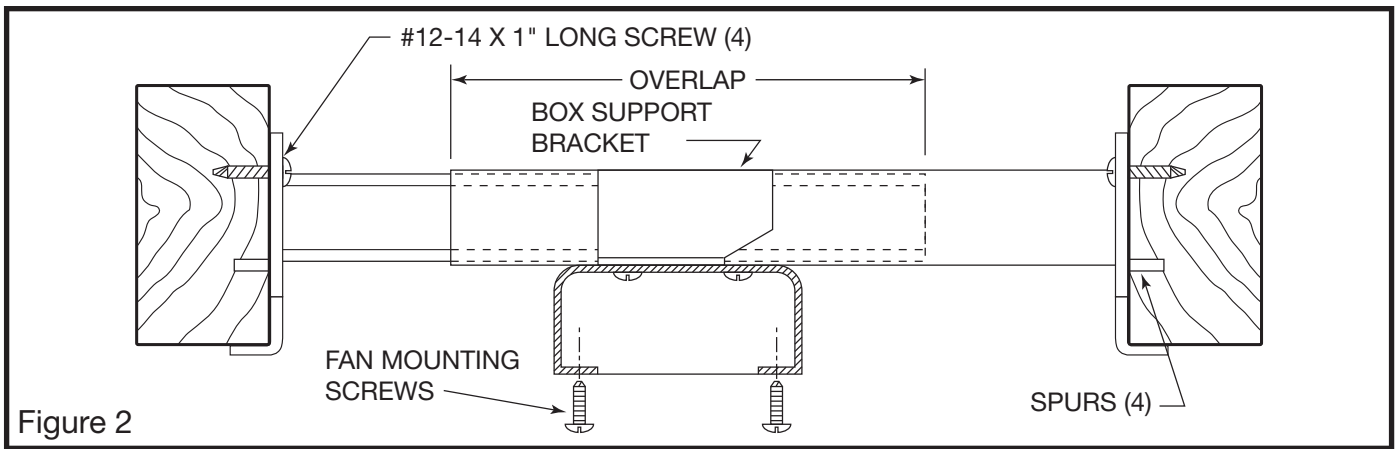


Figure 2

**INSTALLATION INSTRUCTIONS - continued**



**WARNING**



**DO NOT USE THE SPURS AS SOLE MEANS OF SUPPORT FOR THE HANGER.**

2. Use a hammer to strike the engaging spurs into the wood ceiling joist. This will provide temporary support for the hanger.
3. Using the holes in the end plates of the hanger as a template, drill (4) 7/64" diameter pilot holes 3/8" deep (MAX.). Use the wood screws provided and install securely through holes of the end plates. (See Figure 2).
4. Align and fasten the box support bracket along the hanger where the outlet box is to be mounted on the hanger.



**WARNING**



**THE BOX SUPPORT BRACKET MUST BE POSITIONED WITHIN THE OVERLAP OF THE TWO CHANNELS (SEE FIGURE 2).**

5. Attach the ceiling fan box by aligning the two holes on either side of the bottom center knockout with the two holes in the box support bracket.
  - Drive the provided #10-32 x 5/8" fan mounting screws with lockwashers into each of the two holes through the box fastener (See Figure 2).

**IMPORTANT SAFETY NOTICE: MOUNTING OF METALLIC AND NON-METALLIC CEILING FAN BOXES REQUIRES DIFFERENT SCREWS. IF INCORRECT SCREWS ARE USED, THE BOX MAY DISLODGE FROM THE HANGER ASSEMBLY. ONLY USE #10-32 x 5/8" SCREWS WITH LOCKWASHERS FOR STEEL CITY METALLIC CEILING FAN BOXES. ONLY USE #10-32 x 5/8" SCREWS WITHOUT LOCKWASHERS FOR UNION® NON-METALLIC CEILING FAN BOXES. DO NOT INTERCHANGE SCREWS.**

**WARRANTY:** Thomas & Betts sells this product with the understanding that the user will perform all necessary tests to determine the suitability of this product for the user's intended application. Thomas & Betts warrants that this product will be free from defects in materials or workmanship for a period of two (2) years following the date of purchase. Upon prompt notification of any warranted defect, Thomas & Betts will, at its option, repair or replace the defective product. Misuse, misapplication or modification of Thomas & Betts Products immediately voids all warranties.

**Limitations and Exclusions:** THE ABOVE WARRANTY IS THE SOLE WARRANTY CONCERNING THIS PRODUCT, AND IS IN LIEU OF ALL OTHER WARRANTIES EXPRESS OR IMPLIED, INCLUDING BUT NOT LIMITED TO ANY IMPLIED WARRANTY OF MERCHANTABILITY OR FITNESS FOR A PARTICULAR PURPOSE, WHICH ARE SPECIFICALLY DISCLAIMED. LIABILITY FOR BREACH OF THE ABOVE WARRANTY IS LIMITED TO COST OF REPAIR OR REPLACEMENT OF THE PRODUCT, AND UNDER NO CIRCUMSTANCES WILL THOMAS & BETTS BE LIABLE FOR ANY INDIRECT, SPECIAL, INCIDENTAL OR CONSEQUENTIAL DAMAGES.