



Ultra-economy wall pack with traditional look.

Color: Bronze

Weight: 7.2 lbs

**Project:**

**Type:**

**Prepared By:**

**Date:**

### Driver Info

Type	Constant Current
120V	0.25A
208V	0.15A
240V	0.13A
277V	0.12A
Input Watts	29.1W

### LED Info

Watts	30W
Color Temp	5000K (Cool)
Color Accuracy	84 CRI
L70 Lifespan	50,000 Hours
Lumens	3,604
Efficacy	123.8 lm/W

## Technical Specifications

### Compliance

#### UL Listed:

Suitable for wet locations. Suitable for mounting within 4 feet of the ground.

#### DLC Listed:

This product is on the Design Lights Consortium (DLC) Qualified Products List and is eligible for rebates from DLC Member Utilities.

DLC Product Code: P48Q80EH

### Electrical

#### Driver:

Constant Current, Class 2, 120-277V, 50/60Hz, 120V: 0.25A, 208V: 0.15A, 240V: 0.13A, 277V: 0.12A

#### THD:

3.46% at 120V, 4.25% at 277V

#### Power Factor:

99.6% at 120V, 92.6% at 277V

### Photocell:

120-277V Button photocell included. Photocell is compatible with 120V-277V.

#### Note:

All values are typical (tolerance +/- 10%)

### Performance

#### Lifespan:

50,000-Hour LED lifespan based on IES LM-80 results and TM-21 calculations

### LED Characteristics

#### LEDs:

Long-life, high-efficacy, surface-mount LEDs

#### Color Uniformity:

RAB's range of Correlated Color Temperature follows the guidelines of the American National Standard for Specifications for the Chromaticity of Solid State Lighting (SSL) Products, ANSI C78.377-2017.

### Construction

#### Housing:

Die-cast aluminum

#### Lens:

Glass

#### Reflector:

Specular aluminum

#### Cold Weather Starting:

Minimum starting temperature is -40°C (-40°F)

## Technical Specifications (continued)

### Construction

#### Maximum Ambient Temperature:

Suitable for use in up to 40°C (104°F)

#### Mounting:

Die-cast backbox with four (4) conduit entry points and knockout pattern for junction box or direct wall mounting. Hinged door for easy re-assembly.

#### Green Technology:

Mercury and UV free. RoHS-compliant components.

#### Finish:

Formulated for high durability and long-lasting color

#### Other

#### Replacement:

Replaces up to 100W Metal Halide

#### Equivalency:

Equivalent to 70W Metal Halide

#### 5 Yr Limited Warranty:

The RAB 5-year, limited warranty covers light output, driver performance and paint finish. RAB's warranty is subject to all terms and conditions found at [rablighting.com/warranty](http://rablighting.com/warranty).

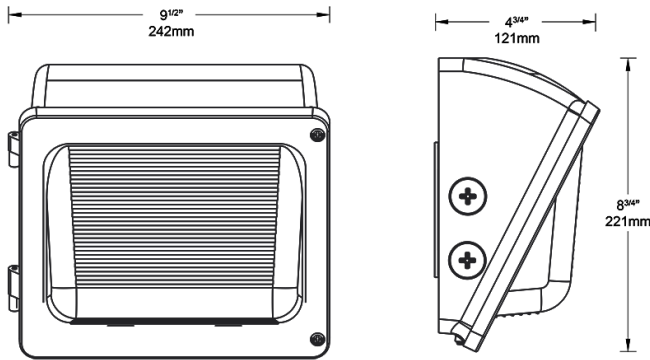
#### Trade Agreements Act Compliant:

This product is a product of Cambodia and a "designated country" end product that complies with the Trade Agreements Act

#### Buy American Act Compliance:

RAB values USA manufacturing! Upon request, RAB may be able to manufacture this product to be compliant with the Buy American Act (BAA). Please contact customer service to request a quote for the product to be made BAA compliant.

## Dimensions



## Features

- Economy-grade wall pack with traditional look
- Covers footprint of small HID wall packs
- Available in various lumen packages
- Integrated 0-10V dimming
- 50,000-Hour LED lifespan

## Ordering Matrix

Family	Lumen Package	CRI/Color Temp	Voltage	Options
W34	30L			/PCU
	30L = 3,500lm, 30W 35L = 4,000lm, 33W	Blank = 80 CRI / 5000K 840 = 80 CRI / 4000K 830 = 80 CRI / 3000K	Blank = 120-277V, 0-10V Dimming /480 = 480V, 0-10V Dimming	Blank = No Option /PCU = 120-277V Button Photocell /MVS = Microwave Motion Sensor /LC = 120-277V Lightcloud® Control

All values are nominal with +/- 10% tolerance. See spec sheet for more details.