



Main

Range of Product	Harmony XB5
Sale per indivisible quantity	10

Complementary

Panel Thickness with accessory	0.06...0.20 in (1.5...5 mm)
Product or Component Type	Protection cover
Material	Plastic
Accessory / separate part category	Protection accessories
Product compatibility	Panel mounted RJ45 port XB5P Panel mounted USB port XB5P
IP degree of protection	IP65 conforming to IEC 60529 IP67 conforming to IEC 60529
Color	Black

Ordering and shipping details




Category	00028-DATA PORTS
Discount Schedule	CS2
GTIN	3606481194220
Nbr. of units in pkg.	1
Package weight(Lbs)	0.07 oz (2.0 g)
Returnability	Yes
Country of origin	DE

Packing Units

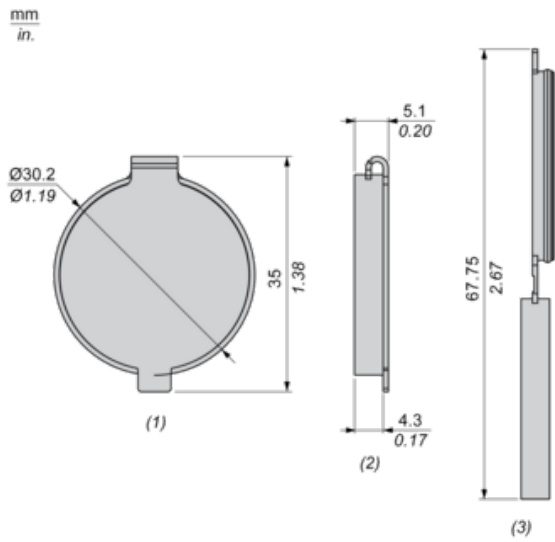
Unit Type of Package 1	PCE
Package 1 Height	0.59 in (1.5 cm)
Package 1 width	3.15 in (8 cm)
Package 1 Length	5.12 in (13 cm)
Unit Type of Package 2	BB1
Number of Units in Package 2	10
Package 2 Weight	0.95 oz (27.0 g)
Package 2 Height	0.59 in (1.5 cm)
Package 2 width	3.15 in (8 cm)
Package 2 Length	5.12 in (13 cm)
Unit Type of Package 3	S02
Number of Units in Package 3	300
Package 3 Weight	2.54 lb(US) (1.152 kg)
Package 3 Height	5.91 in (15 cm)

Package 3 width	11.81 in (30 cm)
Package 3 Length	15.75 in (40 cm)

Offer Sustainability

EU RoHS Directive	Pro-active compliance (Product out of EU RoHS legal scope)  EU RoHS Declaration
Mercury free	Yes
RoHS exemption information	 Yes
China RoHS Regulation	 China RoHS Declaration

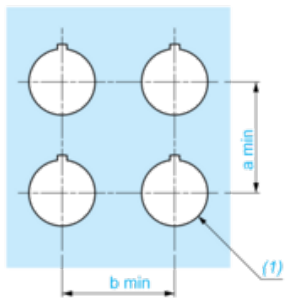
Dimensions



- (1) Front view
- (2) Side view - Closed
- (3) Side view - Open

Panel Cut-out for Protective Cover (Finished Holes, Ready for Installation)

Connection by Screw Clamp Terminals or Plug-in Connectors



(1) Diameter on finished panel or support

Connections	a in mm	a in in.	b in mm	b in in.
By screw clamp terminals or plug-in connector	40	1.57	40	1.57