

### Main

Range of Product	Harmony XB4
Product or Component Type	Flush mounting kit
Accessory / separate part category	Mounting and fixing accessory
Accessory / separate part destination	Pilot light Push-button

### Complementary

Product Compatibility	ZB4BH flush ZB4BL ZB4BA flush ZB4BV
Surface Finish	Chromium plated
IP degree of protection	IP66 IEC 60529 front face) IP69 IEC 60529 front face) IP69K DIN 40050-9 front face)
IK degree of protection	IK06 IEC 50102
Mounting diameter	1.20 in (30.5 mm)
Quantity per Set	Set of 1

### Ordering and shipping details

Category	18079-SPARE PARTS DISCOUNT CP10
Discount Schedule	CP10
GTIN	3606485440200
Nbr. of units in pkg.	1
Package weight(Lbs)	1.13 oz (32.0 g)
Returnability	Yes
Country of origin	FR

### Packing Units

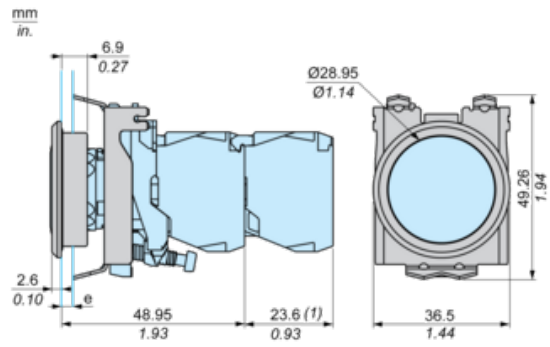
Unit Type of Package 1	PCE
Package 1 Height	1.73 in (4.4 cm)
Package 1 width	2.09 in (5.3 cm)
Package 1 Length	2.17 in (5.5 cm)
Unit Type of Package 2	P06
Number of Units in Package 2	1280
Package 2 Weight	119.62 lb(US) (54.26 kg)
Package 2 Height	29.53 in (75 cm)
Package 2 width	23.62 in (60 cm)
Package 2 Length	31.50 in (80 cm)
Unit Type of Package 3	S02
Number of Units in Package 3	80
Package 3 Weight	6.31 lb(US) (2.86 kg)

Package 3 Height	5.91 in (15 cm)
Package 3 width	11.81 in (30 cm)
Package 3 Length	15.75 in (40 cm)

## Offer Sustainability

REACH Regulation	<a href="#">REACH Declaration</a>
REACH free of SVHC	Yes
EU RoHS Directive	Compliant <a href="#">EU RoHS Declaration</a>
Toxic heavy metal free	Yes
Mercury free	Yes
RoHS exemption information	<a href="#">Yes</a>
China RoHS Regulation	<a href="#">China RoHS Declaration</a>
WEEE	The product must be disposed on European Union markets following specific waste collection and never end up in rubbish bins.

Dimensions with Flush Mounting Kit



e : Clamping thickness : 1.2 to 2.8 mm / 0.05 to 0.11 in.  
(1) Additional row of contacts or double contact

---

Panel Cut-Out and Mounting

---

