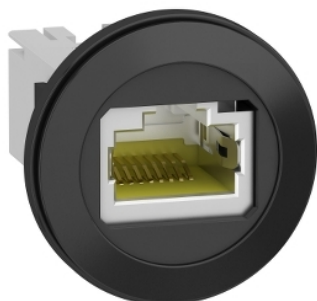


XB5PRJ45

Harmony XB5, Panel mounted RJ45 port, plastic, Ø22, for ethernet interface, RJ45 jack



Main

Range of Product	Harmony XB5
Product or Component Type	Panel mounted RJ45 port
Device short name	XB5P

Complementary

Sale per indivisible quantity	1
Mounting diameter	0.87 in (22 mm)
Thickness	0.24 in (6 mm) without protection cover 0.06...0.20 in (1.5...5 mm) with protection cover plastic 0.06...0.20 in (1.5...5 mm) with protection cover rigid plastic 0.06...0.10 in (1.5...2.5 mm) with protection cover metal
Bezel material	Plastic
Fixing collar material	Plastic
Integrated connection type	RJ45 Ethernet 10 Gbit/s
Minimum number of matings	750 cycles
IP degree of protection	Front IP20 IEC 60529 Back IP20 IEC 60529
Ambient Air Temperature for Operation	-40...158 °F (-40...70 °C)
Ambient Air Temperature for Storage	-40...158 °F (-40...70 °C)
Tightening torque	13.28 lbf.in (1.5 N.m)
Vibration resistance	5 gn 10...500 Hz) IEC 60068-2-6
Standards	IEC 60603-7
Product Certifications	UL Listed CSA
Height	1.10 in (28 mm)
Width	1.10 in (28 mm)
Depth	1.42 in (36 mm)
Net Weight	0.06 lb(US) (0.0266 kg)

Ordering and shipping details

Category	00028-DATA PORTS
Discount Schedule	CS2
GTIN	3606481194213
Nbr. of units in pkg.	1
Package weight(Lbs)	0.92 oz (26.0 g)
Returnability	Yes
Country of origin	DE

Packing Units

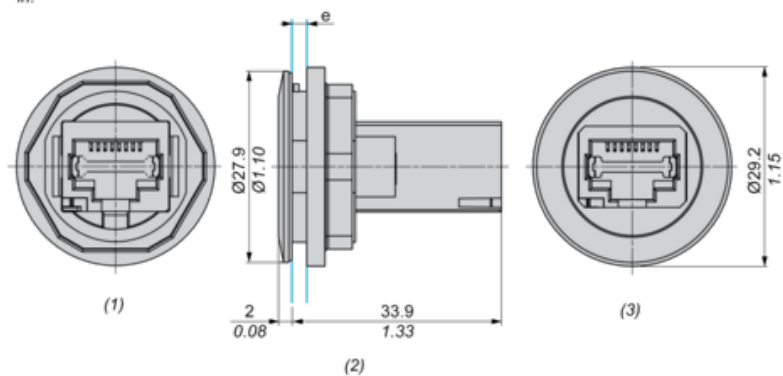
Unit Type of Package 1	PCE
Package 1 Height	1.42 in (3.6 cm)
Package 1 width	3.19 in (8.1 cm)
Package 1 Length	3.27 in (8.3 cm)
Unit Type of Package 2	S02
Number of Units in Package 2	100
Package 2 Weight	6.58 lb(US) (2.985 kg)
Package 2 Height	5.91 in (15 cm)
Package 2 width	11.81 in (30 cm)
Package 2 Length	15.75 in (40 cm)

Offer Sustainability

Sustainable offer status	Green Premium product
California proposition 65	WARNING: This product can expose you to chemicals including: Lead and lead compounds, which is known to the State of California to cause cancer and birth defects or other reproductive harm. For more information go to www.P65Warnings.ca.gov
REACH Regulation	REACH Declaration
REACH free of SVHC	Yes
EU RoHS Directive	Pro-active compliance (Product out of EU RoHS legal scope) EU RoHS Declaration
Toxic heavy metal free	Yes
Mercury free	Yes
RoHS exemption information	Yes
China RoHS Regulation	China RoHS Declaration
Environmental Disclosure	Product Environmental Profile
Circularity Profile	End Of Life Information
WEEE	The product must be disposed on European Union markets following specific waste collection and never end up in rubbish bins.

Dimensions

mm
in.

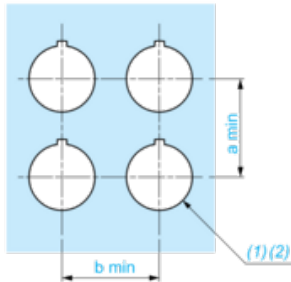


- (1) Back view
- (2) Side view
- (3) Front view
- (e)

	<p>Clamping thickness without accessory: 1.5 mm to 5 mm / 0.05 in to 0.19 in</p> <p>Clamping thickness with ZBSP1 & ZBSP2: 1.5 mm to 5 mm / 0.05 in to 0.19 in</p> <p>Clamping thickness with ZBSP3: 1.5 mm to 2.5 mm / 0.05 in to 0.10 in</p>
--	--

Panel Cut-out for Panel Mounted RJ45 Port

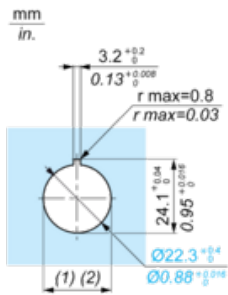
Connection by Screw Clamp Terminals or Plug-in Connectors



- (1) Diameter on finished panel or support
- (2) Ø22.5 mm recommended (Ø22.3 0+0.4) / Ø0.89 in. recommended (Ø0.88 in. 0+0.016)

Connections	a in mm	a in in.	b in mm	b in in.
By screw clamp terminal or plug-in connector	35	1.38	35	1.38

Panel Cut-out



- (1) Diameter on finished panel or support
- (2) Ø22.5 mm recommended (Ø22.3 0+0.4) / Ø0.89 in. recommended (Ø0.88 in. 0+0.016)