



### Main

Range of Product	Modicon TM3
Product Compatibility	Logic controller Motion controller
Product or Component Type	I/O distributed module
Product Specific Application	Bus coupler module

### Complementary

Communication port protocol	CANopen
Connector type	RJ45 2 CANopen daisy chain isolated USB device port Mini-B
Transmission Rate	20 kbit/s...1 Mbit/s
Topology	Daisy chain
Communication Network Type	CANopen
Communication Service	CANopen slave device profile
Web services	Web server, USB
Current consumption	0.8 A 24 V DC internal supply maximum 7 expansion modules
Local signalling	1 LED green/red PWR (System Status) 1 LED green/red RUN (Run) 1 LED green/red ERR (Error) 1 LED green/red I/O status
Fixing mode	By clipping locks rail) By screws mounting plate)
Width	1.06 in (27 mm)
Height	3.80 in (96.5 mm)
Depth	2.76 in (70 mm)
Net Weight	0.22 lb(US) (0.10 kg)

### Environment

Ambient Air Temperature for Storage	-13...158 °F (-25...70 °C)
Pollution degree	2
Ambient Air Temperature for Operation	14...140 °F (-10...60 °C)
IP degree of protection	IP20 conforming to IEC/EN 61010-2-201
Relative Humidity	10...95 % non-condensing
Operating altitude	0...6561.68 ft (0...2000 m)
Storage altitude	0.00...9842.52 ft (0...3000 m)
Vibration resistance	3M4 35 x 15 mm symmetrical DIN rail

## Ordering and shipping details

Category	22533-M2XX PLC & ACCESSORIES
Discount Schedule	MSX
GTIN	3606489811044
Nbr. of units in pkg.	1
Package weight(Lbs)	6.00 oz (170.0 g)
Returnability	Yes
Country of origin	JP

## Packing Units

Unit Type of Package 1	PCE
Package 1 Height	2.95 in (7.5 cm)
Package 1 width	4.13 in (10.5 cm)
Package 1 Length	4.92 in (12.5 cm)
Unit Type of Package 2	BB1
Number of Units in Package 2	1
Package 2 Weight	6.17 oz (175.0 g)
Package 2 Height	2.83 in (7.2 cm)
Package 2 width	4.09 in (10.4 cm)
Package 2 Length	4.88 in (12.4 cm)
Unit Type of Package 3	P06
Number of Units in Package 3	144
Package 3 Weight	82.01 lb(US) (37.2 kg)
Package 3 Height	31.50 in (80 cm)
Package 3 width	23.62 in (60 cm)
Package 3 Length	31.50 in (80 cm)

## Offer Sustainability

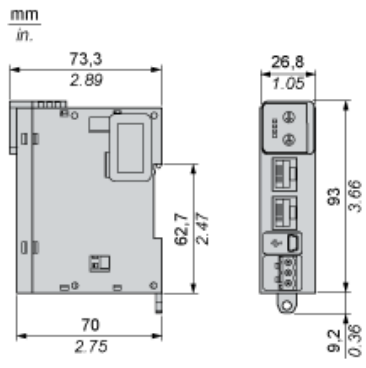
Sustainable offer status	Green Premium product
California proposition 65	WARNING: This product can expose you to chemicals including: Lead and lead compounds, which is known to the State of California to cause cancer and birth defects or other reproductive harm. For more information go to <a href="http://www.P65Warnings.ca.gov">www.P65Warnings.ca.gov</a>
REACH Regulation	<a href="#">REACH Declaration</a>
EU RoHS Directive	Pro-active compliance (Product out of EU RoHS legal scope) <a href="#">EU RoHS Declaration</a>
Mercury free	Yes
RoHS exemption information	<a href="#">Yes</a>
China RoHS Regulation	<a href="#">China RoHS Declaration</a>
Environmental Disclosure	<a href="#">Product Environmental Profile</a>
Circularity Profile	<a href="#">End Of Life Information</a>

---

Dimensions

---

Side and Front Views



Spacing Requirements

