



Main

Range of Product	Harmony GTU
Product or Component Type	Advanced touchscreen panel
Terminal type	Touchscreen display
[Us] rated supply voltage	12...24 V DC power supply
Supply voltage limits	10.8...28.8 V
Power Consumption in W	6.5 W
Inrush current	30 A

Complementary

Touchscreen resolution	1024 x 1024
Pixel resolution	1280 x 800
Display size	10.1 inch
Aspect ratio	4:3
Display type	Colour TFT LCD
Display Resolution	1280 x 800 pixels WVGA
Display colour	262144 colors
Backlight lifespan	50000 hours
Touch panel	Single touch analogue resistive
Type of cooling	Natural convection
Type of Installation	Indoor installation
Cut-out dimensions	255 (+ 1/- 0) x 185 (+ 1/- 0) mm
Width	10.57 in (268.5 mm)
Height	7.81 in (198.5 mm)
Depth	2.64 in (67 mm)
Net Weight	5.51 lb(US) (2.5 kg)

Environment

IP degree of protection	Front panel IP66 Front panel IP67
NEMA degree of protection	NEMA 4X front panel
Standards	UL 508 ANSI/ISA 12-12-01 Class I division 2 CSA C22.2 No 213 CSA C22.2 No 142 IEC 61132-2
Product certifications	RCM CULus KC CE
Ambient air temperature for operation	32...140 °F (0...60 °C) EN 61131-2
Ambient air temperature for storage	-4...140 °F (-20...60 °C)
Relative Humidity	10...90 % non-condensing
Operating altitude	6561.68 ft (2000 m)
Vibration resistance	3.5 mm constant amplitude 5...9 Hz) EN/IEC 61131-2 9.8 m/s ² 9...150 Hz) EN/IEC 61131-2

Shock resistance	147 m/s ² EN/IEC 61131-2
Electromagnetic compatibility	Electrostatic discharge immunity testlevel 3 EN/IEC 61000-4-2

Ordering and shipping details

Category	22567-MAGELIS HMI GTU
Discount Schedule	MC2
GTIN	3606480687273
Nbr. of units in pkg.	1
Package weight(Lbs)	8.49 lb(US) (3.853 kg)
Returnability	Yes
Country of origin	CN

Packing Units

Unit Type of Package 1	PCE
Package 1 Height	8.27 in (21 cm)
Package 1 width	12.99 in (33 cm)
Package 1 Length	14.57 in (37 cm)
Unit Type of Package 2	P12
Number of Units in Package 2	10
Package 2 Weight	213.17 lb(US) (96.69 kg)
Package 2 Height	31.50 in (80 cm)
Package 2 width	47.24 in (120 cm)
Package 2 Length	43.31 in (110 cm)
Unit Type of Package 3	CAR
Number of Units in Package 3	2
Package 3 Weight	19.33 lb(US) (8.769 kg)
Package 3 Height	16.93 in (43 cm)
Package 3 width	13.98 in (35.5 cm)
Package 3 Length	17.91 in (45.5 cm)

Offer Sustainability

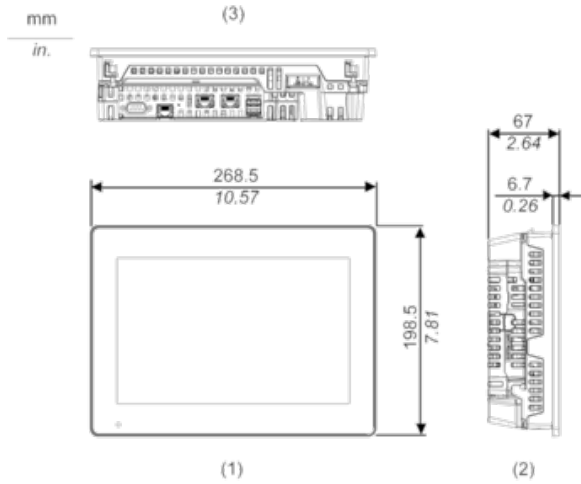
Sustainable offer status	Green Premium product
California proposition 65	WARNING: This product can expose you to chemicals including: Lead and lead compounds, which is known to the State of California to cause cancer and birth defects or other reproductive harm. For more information go to www.P65Warnings.ca.gov
REACH Regulation	REACH Declaration
REACH free of SVHC	Yes
EU RoHS Directive	Pro-active compliance (Product out of EU RoHS legal scope) EU RoHS Declaration
Mercury free	Yes
RoHS exemption information	Yes
China RoHS Regulation	China RoHS Declaration
Environmental Disclosure	Product Environmental Profile
Circularity Profile	End Of Life Information
WEEE	The product must be disposed on European Union markets following specific waste collection and never end up in rubbish bins.

Contractual warranty

Warranty	18 months
----------	-----------

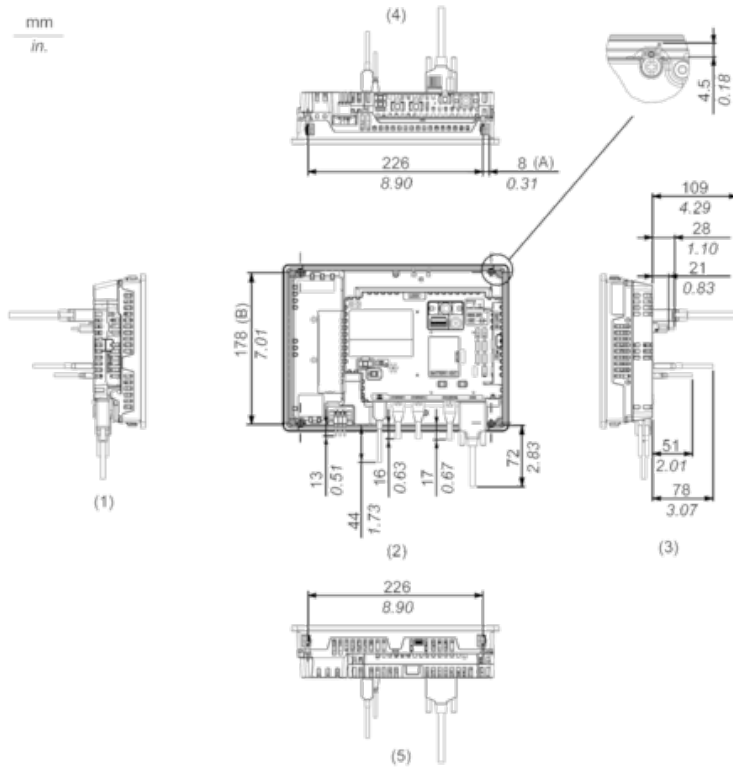
External Dimensions

Display Unit with Box Module



- 1 Front
- 2 Left
- 3 Bottom

Installation with Installation Fasteners and Dimensions with Cables

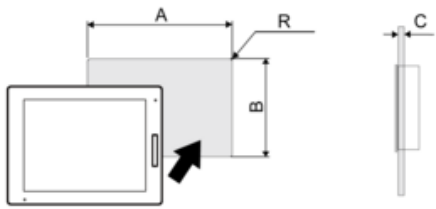


- (A) Rotation area of the fastener
- (B) Pitch of the center of installation fastener screws

- 1 Right
- 2 Front
- 3 Left
- 4 Bottom
- 5 Top

Mounting

Panel Cut Dimensions



Dimensions in mm

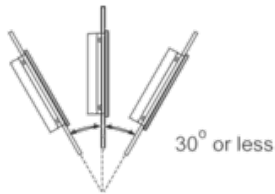
A	B	C	R
255 (+1/-0)	185 (+1/-0)	1.6...5	3 max.

Dimensions in in.

A	B	C	R
10.04 (+0.04/-0)	7.28 (+0.04/-0)	0.06...0.2	0.12 max.

Installation Requirements

Mounting Angle



When installing this product in a slanted position with an incline more than 30°, the ambient temperature must not exceed 40 °C (104 °F). You may need to use forced air cooling (fan, A/C) to ensure the ambient operating temperature is 40 °C or less (104 °F or less).

Clearance

