



Main

Range of Product	Harmony SCU
Product or Component Type	Remote control cable

Complementary

Cable length	9.84 ft (3 m)
Height	4.15 in (105.4 mm)
Width	5.17 in (131.33 mm)
Depth	0.94 in (23.75 mm)
Net Weight	1.52 lb(US) (0.689 kg)

Ordering and shipping details

Category	22569-MAGELIS XBT-GT (AND XBT-G)
Discount Schedule	MC2
GTIN	3595864175614
Nbr. of units in pkg.	1
Package weight(Lbs)	23.63 oz (670.0 g)
Returnability	Yes
Country of origin	CN

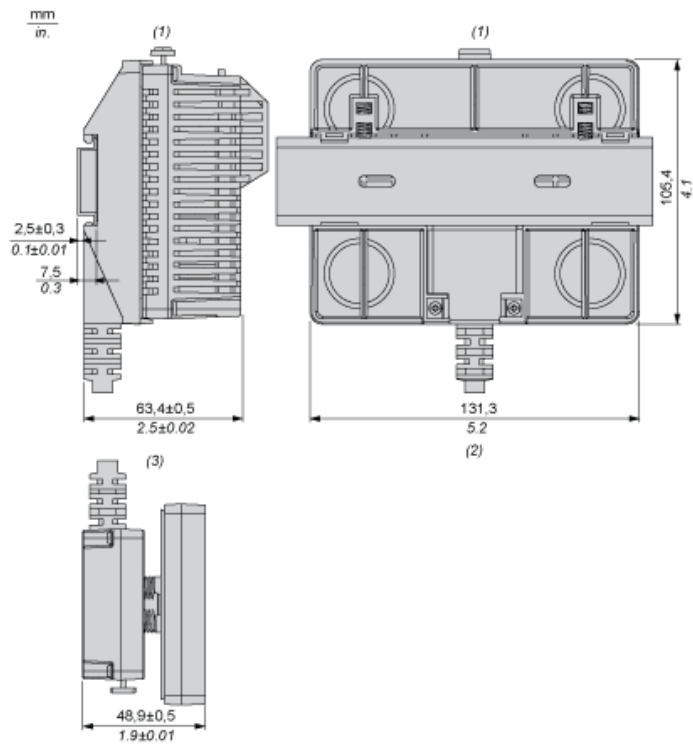
Packing Units

Unit Type of Package 1	PCE
Package 1 Height	2.83 in (7.2 cm)
Package 1 width	7.24 in (18.4 cm)
Package 1 Length	10.51 in (26.7 cm)
Unit Type of Package 2	S03
Number of Units in Package 2	6
Package 2 Weight	8.86 lb(US) (4.02 kg)
Package 2 Height	11.81 in (30 cm)
Package 2 width	11.81 in (30 cm)
Package 2 Length	15.75 in (40 cm)
Unit Type of Package 3	P12
Number of Units in Package 3	96
Package 3 Weight	141.80 lb(US) (64.32 kg)
Package 3 Height	29.53 in (75 cm)
Package 3 width	31.50 in (80 cm)
Package 3 Length	47.24 in (120 cm)

Offer Sustainability

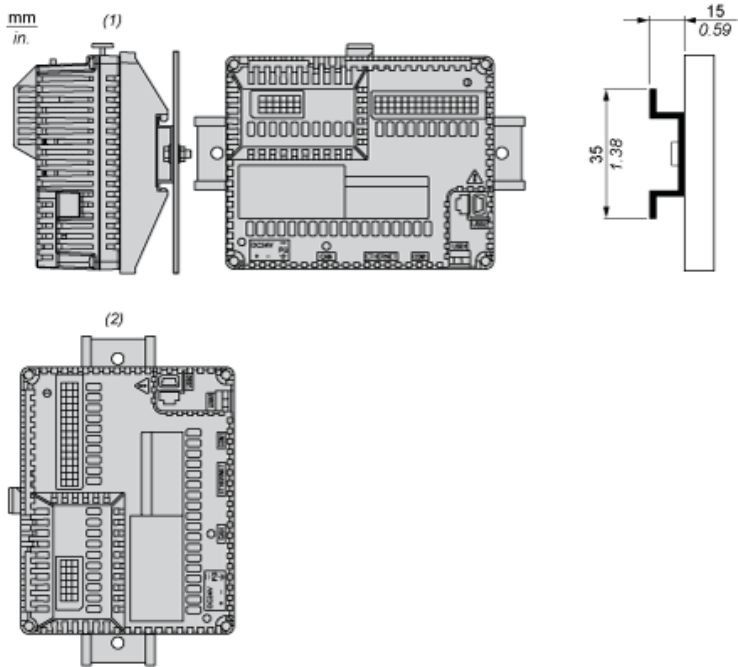
California proposition 65	WARNING: This product can expose you to chemicals including: Lead and lead compounds, which is known to the State of California to cause cancer and birth defects or other reproductive harm. For more information go to www.P65Warnings.ca.gov
REACH Regulation	REACH Declaration
REACH free of SVHC	Yes
EU RoHS Directive	Pro-active compliance (Product out of EU RoHS legal scope) EU RoHS Declaration
Toxic heavy metal free	Yes
Mercury free	Yes
RoHS exemption information	Yes
China RoHS Regulation	China RoHS Declaration
WEEE	The product must be disposed on European Union markets following specific waste collection and never end up in rubbish bins.

Dimensions



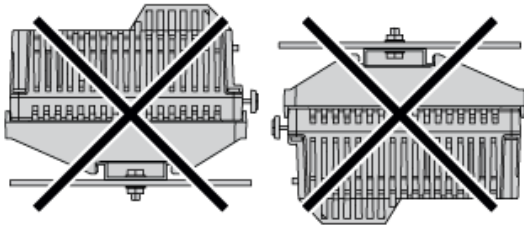
- (1) Rear module
- (2) Rear module remote cable
- (3) Panel remote cable

Recommended Mounting position

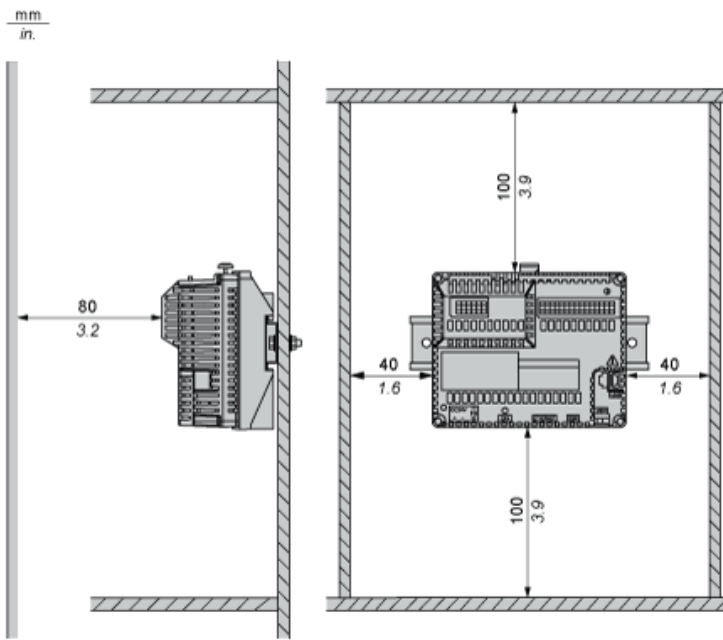


- (1) Horizontal mounting
- (2) Vertical mounting

No Recommended Mounting Position



Clearance



Keep adequate spacing for proper ventilation to maintain an ambient temperature between 0...50 °C (32...122 °F) for horizontal installation and 0...40 °C (32...104 °F) for vertical installation.