



Twistline GU10

BC50TWISTLINE GU10/FL25 TP

Bright, white accent light with superior energy savings Philips Twistline GU10 Philips Halogen Twistline MR16 with GU10 base provide bright white accent light. The twist and lock base enables easy installation and a secure fit. Suited for track and recessed lighting applications.

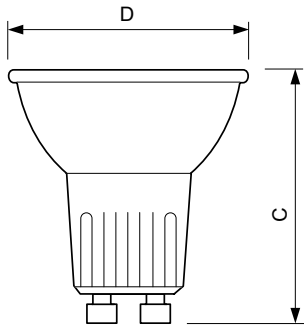
Product data

General Information	
Base	GU10 [GU10]
Operating Position	Universal [Universal]
Nominal Lifetime (Nom)	2000 h
Rated Lifetime (Hours)	2000 h
Light Technical	
Beam Angle (Nom)	25 °
Luminous Intensity (Max)	700 cd
Correlated Color Temperature (Nom)	2800 K
Color Rendering Index (Nom)	100
Operating and Electrical	
Power (Rated) (Nom)	50 W
Starting Time (Nom)	0.0 s
Voltage (Nom)	120 V

Controls and Dimming	
Dimmable	Yes
Mechanical and Housing	
Bulb Finish	Clear
Bulb Shape	MR16 [2inch/50mm]
Product Data	
Order product name	BC50TWISTLINE GU10/FL25 TP
EAN/UPC - Product	046677415747
Order code	415745
Numerator - Quantity Per Pack	1
Numerator - Packs per outer box	6
Material Nr. (12NC)	925691836307
Net Weight (Piece)	0.046 kg

Twistline GU10

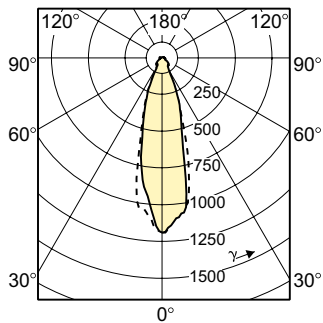
Dimensional drawing



TWIST 50W GU10 120V 25D

Product	D (max)	C (max)
BC50TWISTLINE GU10/FL25 TP	51 mm	53 mm

Photometric data



LDLD_HTWIST_Dichr_25D-Light distribution diagram

