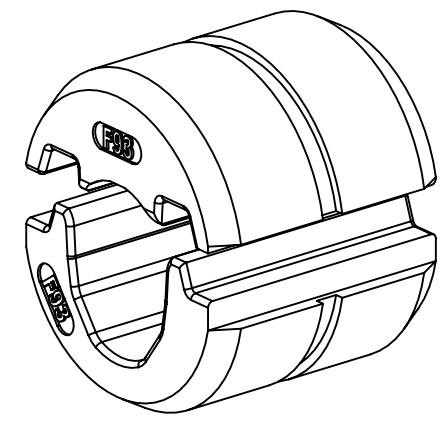
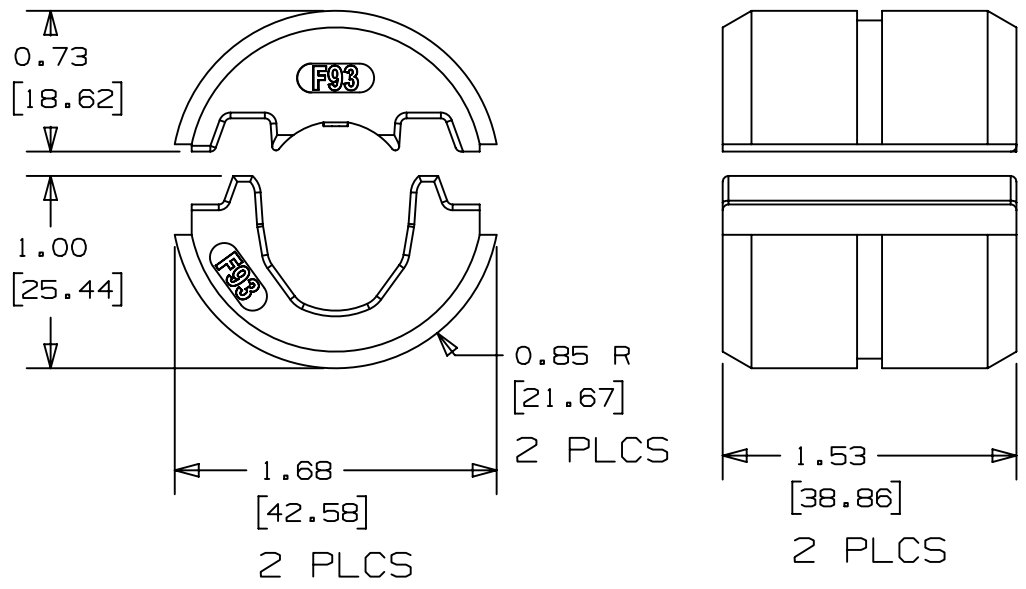


THIS COPY IS PROVIDED ON A RESTRICTED BASIS AND IS NOT TO BE USED IN ANY WAY DETRIMENTAL TO THE INTERESTS OF PANDUIT CORP.

NOTES, UNLESS OTHERWISE SPECIFIED:

1. DIMENSIONS IN BRACKETS ARE IN METRIC. (A)
2. RECOMMENDED TOOL: CT-3001/ST SERIES
3. COMPATIBLE TOOLS: CT-3001/CCP SERIES, CT-930LPCH
4. WIRE SIZE: 350kcmil
5. CRIMPS: F93 FERRULES - ALL SIZES
6. DIE HALVES ARE HEAT TREATED TO Rc 32-35
7. DIE HALVES ARE NICKLON PLATED FOR LUBRICITY/DURABILITY
8. DIE HALVES AND PLATING ARE RoHS COMPLIANT (A)



| REV | DATE | BY | CHK | APR | DESCRIPTION | ECN |
|-----|----------|------|-----|------|---|--------|
| 01 | 11-2-17 | BJPU | JEH | JADE | REMOVED CT-2931/ST AND CT-920CH TOOLS, ADDED CT-3001/CCP SERIES TOOL, ADDED NOTE #8 (A) | 017591 |
| 00 | 03-30-17 | BJPU | JEH | JADE | RELEASED | 012679 |

| | | | |
|---|------------------|------------------------------------|--------------|
| INSTALLATION INSTRUCTION NUMBER PA28870A01 | | FMEA & CONTROL PLAN NUMBER N/A | |
| TITLE CD-920-F93 CUSTOMER DRAWING | | | |
| CUSTOMER DRAWING | | | |
| ITEM REVISION NAME R28879AA/01 | | PANDUIT | |
| DATASET FILE NAME R28879AA_DS_TD28879A01/01 | | | |
| UNLESS OTHERWISE SPECIFIED, DIMENSIONAL TOLERANCES ARE: IN [mm] | | MATERIAL: 4140 STEEL / RC 32-35 | |
| .x ± .1 [2.54] .xxx ± .005 [.127] .xx ± .01 [.25] ANGLES ± 5 ° | | DRAWING NUMBER: TD28879A01 | |
| THIRD ANGLE PROJECTION | | SHT 1 OF 1 | |
| DRAWN BY BJPU | DATE 03/30/17 | CHK JADE | SCALE 1:1 |
| REV | | SIZE A | |