

GROUND ROD CLAMP, CLASS 1-CLASS 2 (4/0 MAX) CONDUCTOR SIZE, UL, 1/2"–3/4" DIA

CATALOG NUMBER

LPC790



CERTIFICATIONS



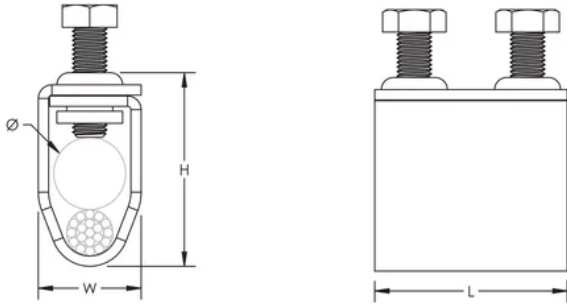
FEATURES

- Unique stamped body design will not crack as mechanical forces are increased
- Stainless steel threads will not strip if over-tightened
- Unique internal profile offers pull-out load in excess of four times the UL® 96 requirement
- Listed to UL® 96

PRODUCT ATTRIBUTES

- Material: Copper
- Conductor Size, UL: Class 1 - Class 2 (4/0 Max)
- Ground Rod Diameter, Nominal: 1/2" - 3/4"
- Ground Rod Diameter, Actual (Ø): 0.500" - 0.68"
- Height (H): 1.65"
- Length (L): 1 3/4"
- Width (W): 0.94"
- Unit Weight: 0.34 lb

DIAGRAMS



WARNING

nVent products shall be installed and used only as indicated in nVent's product instruction sheets and training materials. Instruction sheets are available at www.nvent.com and from your nVent customer service representative. Improper installation, misuse, misapplication or other failure to completely follow nVent's instructions and warnings may cause product malfunction, property damage, serious bodily injury and death and/or void your warranty.

North America

+1.800.753.9221

Option 1 – Customer Care

Option 2 – Technical Support

Europe

Netherlands:

+31 800-0200135

France:

+33 800 901 793

Europe

Germany:

800 1890272

Other Countries:

+31 13 5835404

APAC

Shanghai:

+ 86 21 2412 1618/19

Sydney:

+61 2 9751 8500



Our powerful portfolio of brands:
nVent.com **CADDY ERICO HOFFMAN RAYCHEM SCHROFF**
TRACER

© 2024 nVent. All nVent marks and logos are owned or licensed by nVent Services GmbH or its affiliates. All other trademarks are the property of their respective owners.

nVent reserves the right to change specifications without notice.