

517 PARALLEL CABLE CONNECTOR, COPPER, CLASS 1 - CLASS 2 (4/0 MAX)

CATALOG NUMBER

LPC517



CERTIFICATIONS



FEATURES

Cable splice with positive two bolt tension grip on cable or wire

For use with all full size cables on Class I/II structures

Listed to UL® 96

PRODUCT ATTRIBUTES

Conductor Size, UL: Class 1 - Class 2 (4/0 Max)

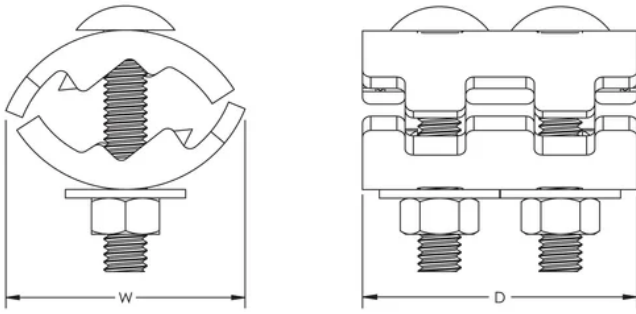
Material: Copper

Depth (D): 1.91"

Width (W): 1.66"

Unit Weight: 0.51 lb

DIAGRAMS



WARNING

nVent products shall be installed and used only as indicated in nVent's product instruction sheets and training materials. Instruction sheets are available at www.nvent.com and from your nVent customer service representative. Improper installation, misuse, misapplication or other failure to completely follow nVent's instructions and warnings may cause product malfunction, property damage, serious bodily injury and death and/or void your warranty.

North America

+1.800.753.9221

Option 1 – Customer Care

Option 2 – Technical Support

Europe

Netherlands:

+31 800-0200135

France:

+33 800 901 793

Europe

Germany:

800 1890272

Other Countries:

+31 13 5835404

APAC

Shanghai:

+ 86 21 2412 1618/19

Sydney:

+61 2 9751 8500



Our powerful portfolio of brands:
nVent.com CADDY ERICO HOFFMAN RAYCHEM SCHROFF
TRACER