



## STRUT AND ROD BEAM CLAMP, 3/8" ROD, 2" MAX FLANGE

### CATALOG NUMBER

**STCB6**



### CERTIFICATIONS



### FEATURES

Multifunctional beam clamp suitable for strut channel or threaded rod

Bolt included

Requires installation in pairs

### PRODUCT ATTRIBUTES

Material: Steel

Finish: Electrogalvanized

Strut Type: A (1 5/8" x 1 5/8");CC (1 5/8" x 1 5/8")

Rod Size (RS): 3/8"

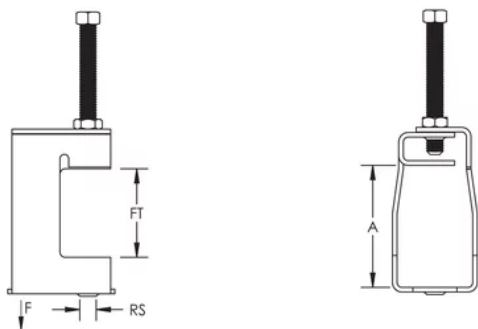
Flange Thickness (FT): 2" Max

A: 2.79"

Static Load (F): 400lb

## DIAGRAMS

---



## WARNING

---

nVent products shall be installed and used only as indicated in nVent's product instruction sheets and training materials. Instruction sheets are available at [www.nvent.com](http://www.nvent.com) and from your nVent customer service representative. Improper installation, misuse, misapplication or other failure to completely follow nVent's instructions and warnings may cause product malfunction, property damage, serious bodily injury and death and/or void your warranty.

### North America

+1.800.753.9221

Option 1 – Customer Care

Option 2 – Technical Support

### Europe

Netherlands:

+31 800-0200135

France:

+33 800 901 793

### Europe

Germany:

800 1890272

Other Countries:

+31 13 5835404

### APAC

Shanghai:

+ 86 21 2412 1618/19

Sydney:

+61 2 9751 8500



Our powerful portfolio of brands:  
**nVent.com CADDY ERICO HOFFMAN RAYCHEM SCHROFF**  
**TRACER**

© 2024 nVent. All nVent marks and logos are owned or licensed by nVent Services GmbH or its affiliates. All other trademarks are the property of their respective owners.

nVent reserves the right to change specifications without notice.