



STRUT BEAM CLAMP WITH U-BOLT, STEEL, EG, A, C STRUT

CATALOG NUMBER

BC17A000EG



FEATURES

Complete with U-bolt and nuts

Requires installation in pairs

PRODUCT ATTRIBUTES

Material: Steel

Finish: Electrogalvanized

Strut Type: A (1 5/8" x 1 5/8");C (13/16" x 1 5/8")

Rod Size (RS): 3/8"

Flange Thickness (FT): 13/16" Max

Width (W): 3"

Thickness (T): 1/4"

A: 11/16"

B: 1 11/16"

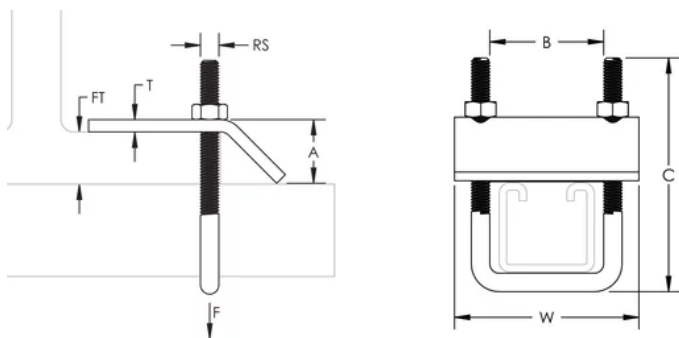
C: 3 3/8"

Static Load (F): 1200lb

ADDITIONAL PRODUCT DETAILS

Static Load is based on one pair of Strut Beam Clamps.

DIAGRAMS



WARNING

nVent products shall be installed and used only as indicated in nVent's product instruction sheets and training materials. Instruction sheets are available at www.nvent.com and from your nVent customer service representative. Improper installation, misuse, misapplication or other failure to completely follow nVent's instructions and warnings may cause product malfunction, property damage, serious bodily injury and death and/or void your warranty.

North America

+1.800.753.9221

Option 1 – Customer Care

Option 2 – Technical Support

Europe

Netherlands:

+31 800-0200135

France:

+33 800 901 793

Europe

Germany:

800 1890272

Other Countries:

+31 13 5835404

APAC

Shanghai:

+ 86 21 2412 1618/19

Sydney:

+61 2 9751 8500



Our powerful portfolio of brands:
nVent.com **CADDY ERICO HOFFMAN RAYCHEM SCHROFF**
TRACER