



305 STAINLESS STEEL BEAM CLAMP, TOP MOUNT, 3/8" ROD, 5/8" MAX FLANGE

CATALOG NUMBER

3050037S4



CERTIFICATIONS



FEATURES

Pressed steel beam clamp

Structural attachment to top flange of metal beams, purlins, channel, or angle iron

Conforms with Federal Specification WW-H-171 (Type 23), Manufacturers Standardization Society ANSI®/MSS-SP-58 (Type 19)

PRODUCT ATTRIBUTES

Material: Stainless Steel 304 (EN 1.4301)

Rod Size (RS): 3/8"

Flange Thickness (FT): 5/8" Max

A: 7/8"

Screw Diameter (Sc): 3/8"

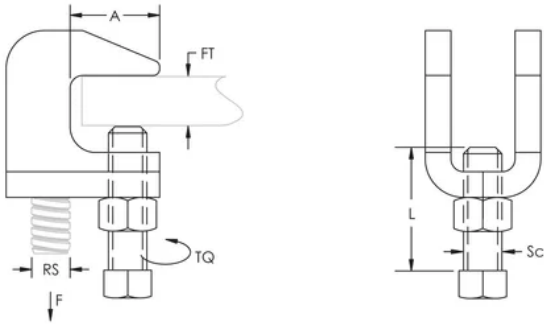
Screw Length (L): 1 1/2"

Torque (TQ): 5 ft·lbf

ADDITIONAL PRODUCT DETAILS

Set screw must be tightened and torqued onto the sloped side of the I-beam, channel, or angle iron flange.

DIAGRAMS



WARNING

nVent products shall be installed and used only as indicated in nVent's product instruction sheets and training materials. Instruction sheets are available at www.nvent.com and from your nVent customer service representative. Improper installation, misuse, misapplication or other failure to completely follow nVent's instructions and warnings may cause product malfunction, property damage, serious bodily injury and death and/or void your warranty.

North America

+1.800.753.9221

Option 1 – Customer Care

Option 2 – Technical Support

Europe

Netherlands:

+31 800-0200135

France:

+33 800 901 793

Europe

Germany:

800 1890272

Other Countries:

+31 13 5835404

APAC

Shanghai:

+ 86 21 2412 1618/19

Sydney:

+61 2 9751 8500



Our powerful portfolio of brands:
nVent.com **CADDY ERICO HOFFMAN RAYCHEM SCHROFF**
TRACER