

5 A 2-Button RF Switch

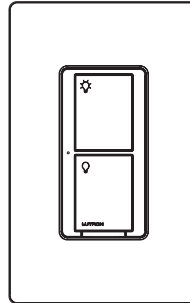
The 5 A 2-Button RF Switch controls various loads automatically through wireless sensors and wireless remote controls, providing a system that delivers energy savings, convenience, and ease of installation.

The 5 A 2-Button RF Switch uses Lutron patented Clear Connect RF Technology, which enables wireless communication with Radio Powr Savr sensors and Pico remote controls for total load control.

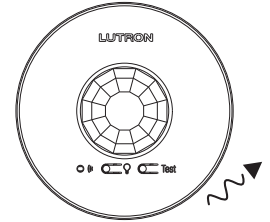
Features

- The 5 A 2-Button RF Switch provides switching of multiple load types and, when paired with wireless transmitting devices, allows remote control, occupancy/vacancy sensing, and daylight harvesting.
- Lutron patented Clear Connect RF Technology works through walls and floors.
- Includes Front Accessible Service Switch (FASS) for safe lamp replacement.
- Two-wire switch ideal for retrofit applications. No neutral required.

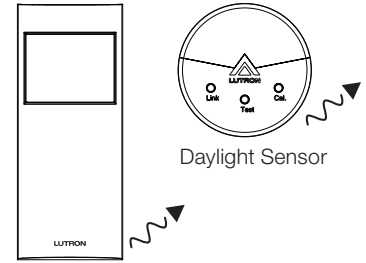
Receiving Device
5 A 2-Button RF Switch



Wireless Transmitting Devices
Radio Powr Savr Sensors



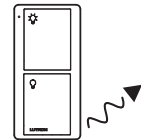
Ceiling-mounted
Occupancy/Vacancy Sensor



Wall-mounted
Occupancy/Vacancy
Sensor

Daylight Sensor

Pico Remote Control



Load Type and Capacity

Model Number	Description	Voltage	Load Type	Minimum Load	Maximum Load ⁴		
					Not Ganged	End of Gang	Middle of Gang
PD-5S-DV-XX ^{1,2}	5 A 2-Button RF Switch	120 V~	Incandescent/Halogen	25 W	600 W	450 W	350 W
		277 V~	Incandescent/Halogen	25 W	1350 W	1100 W	800 W
		120 V~	MLV	25 W	600 VA/475 W	450 VA/350 W	350 VA/275 W
		277 V~	MLV	25 W	1350 VA/1075 W	1100 VA/875 W	800 VA/625 W
		120 V~	General Purpose Fan	0.4 A	3 A	3 A	3 A
		120/277 V~	CFL/LED	Use LUT-MLC ³	5 A	4 A	3 A
		120/277 V~	Fluorescent	Use LUT-MLC ³	5 A	4 A	3 A
		120 V~	ELV	Use LUT-MLC ³	600 W	450 W	350 W
277 V~	ELV	Use LUT-MLC ³	1350 W	1100 W	800 W		

¹ No Neutral Required.

² "XX" in the model number represents color/finish code.

³ To ensure proper operation of the switch with CFL, LED, fluorescent, and ELV loads, the LUT-MLC may be required, especially at lower wattages. If the status LED on the switch is flashing or solid red in color, the LUT-MLC must be installed. To guarantee best performance, installing the LUT-MLC with these load types regardless of wattage is recommended. Rarely, some load types may still flicker or glow in the off state even with the LUT-MLC installed, in which case a different load may be required. **If controlling Type B TLED bulbs, consult Application Note #812 (P/N 048812) on www.lutron.com**

⁴ See "Ganging and Derating" section.

Job Name:	Model Numbers:
Job Number:	

Specifications

Regulatory Approvals

- cULus Listed
- NOM Certified
- FCC Approved. Complies with the limits for a Class B digital device, pursuant to Part 15 of the FCC Rules
- Industry Canada Certified
- IFTEL Certified (pending)

Power

Operating voltage:

120/277 V~ 50/60 Hz

Key Design Features

- Tested to withstand electrostatic discharge without damage or memory loss, in accordance with IEC 61000-4-2.
- Tested to withstand surge voltages without damage or loss of operation, in accordance with IEEE C62.41-1991 Recommended Practice on Surge Voltages in Low-Voltage AC Power Circuits.
- Switches always operate locally and do not require system control.
- Power failure memory: should power be interrupted, the control will return to its previously set level prior to the interruption when power is restored.
- Uses conventional 3-way wiring.
- Uses Lutron Claro wallplates or designer-style wallplates from other manufacturers. Wallplates are sold separately.
- Lutron Claro wallplates snap on with no visible means of attachment.
- Requires a 1-gang U.S. wallbox; 3½ in (89 mm) depth recommended, 2¼ in (57 mm) depth minimum.
- Green status LED.

System Communications and Capacity

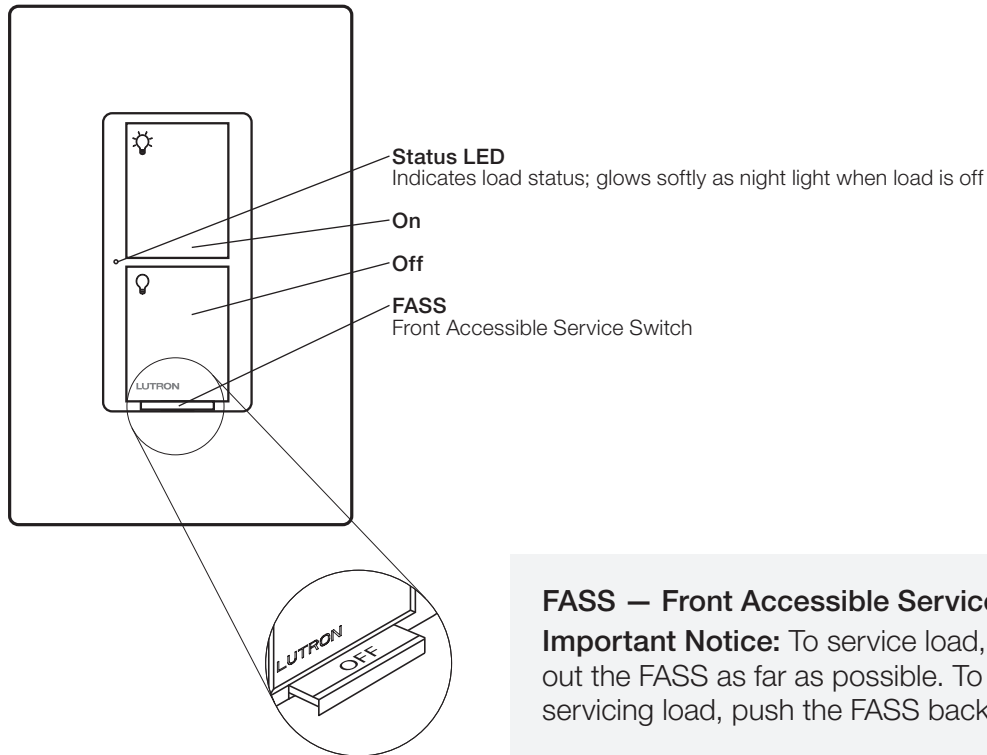
- The 5 A 2-Button RF Switch communicates with the Pico remote controls and Radio Power Savr sensors through radio frequency (RF).
- The 5 A 2-Button RF Switch must be located within 60 ft (18 m) line-of-sight or 30 ft (9 m) through walls, of Pico remote controls and Radio Power Savr sensors.
- Up to ten transmitting devices (limit one daylight sensor) may be associated to each RF switch.

Environment

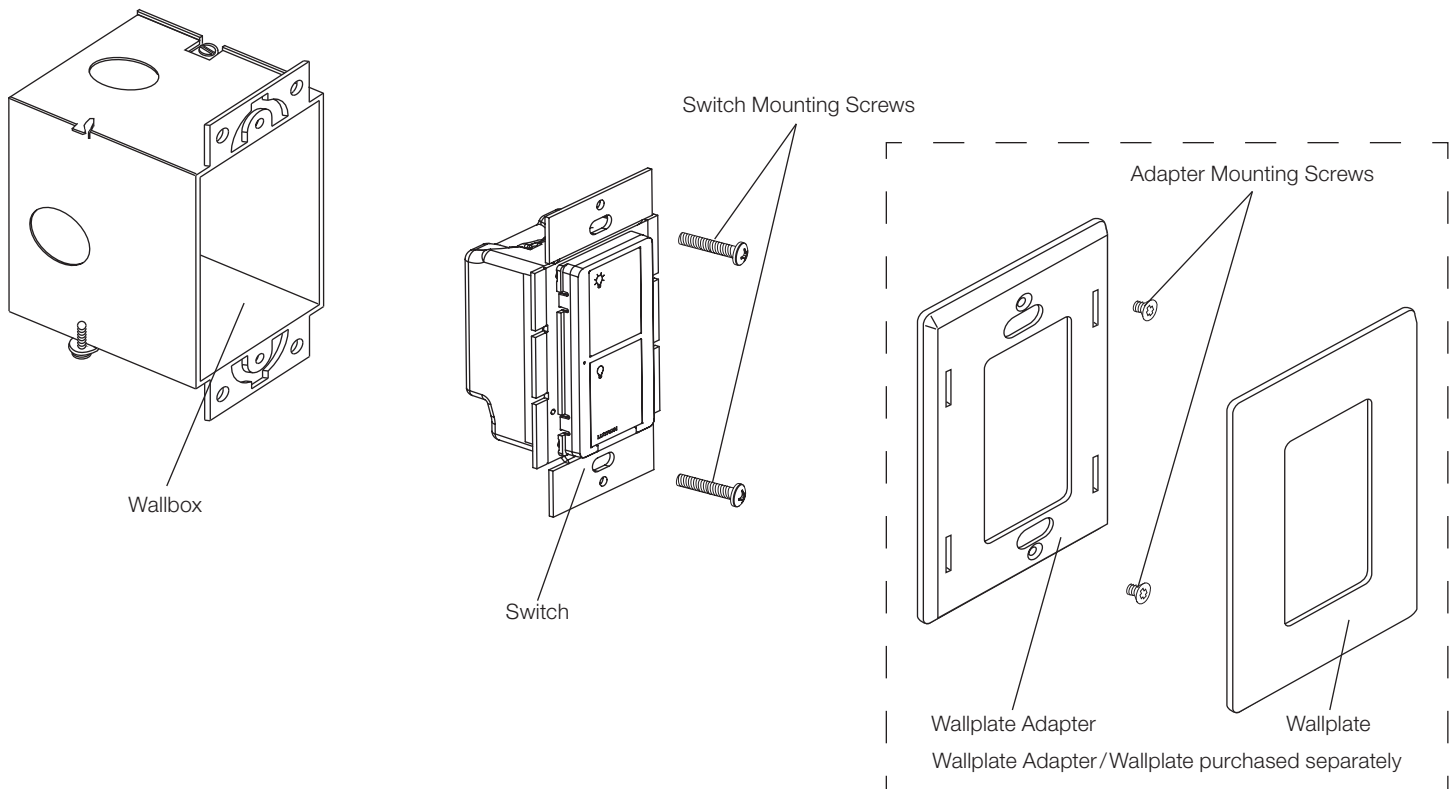
- Ambient operating temperature: 32 °F to 104 °F (0 °C to 40 °C), 0%–90% humidity, non-condensing. Indoor use only.

<p>Job Name:</p> <p>Job Number:</p>	<p>Model Numbers:</p>
--	-----------------------

Operation



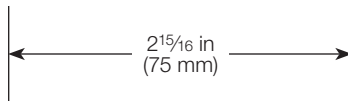
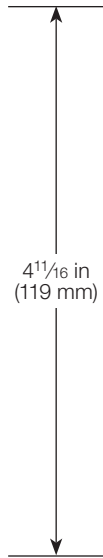
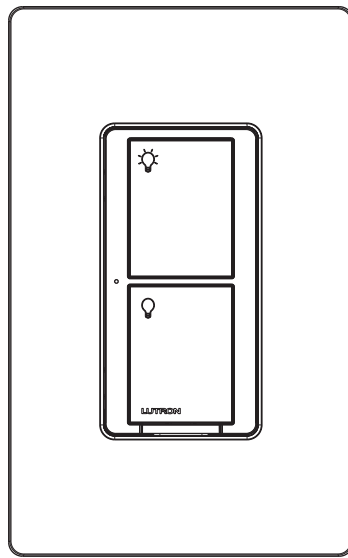
Mounting



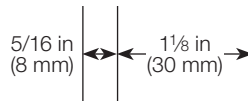
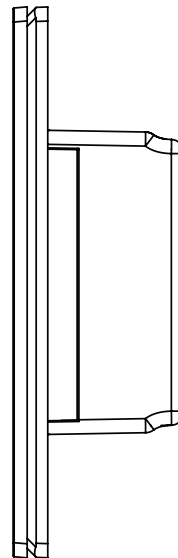
Job Name:	Model Numbers:
Job Number:	

Dimensions

Front View

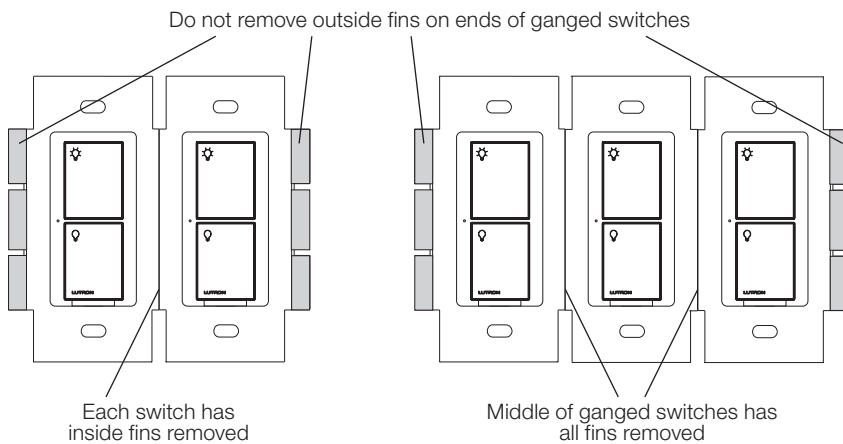


Side View



Ganging and Derating

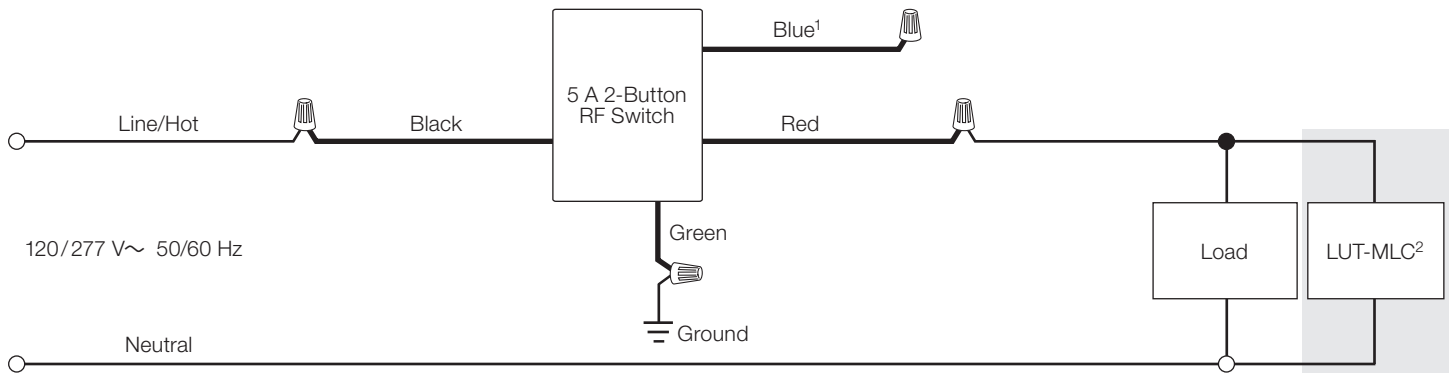
When ganging with other switches in the same wallbox, derating is required. See “Load Type and Capacity” chart.



Job Name:	Model Numbers:
Job Number:	

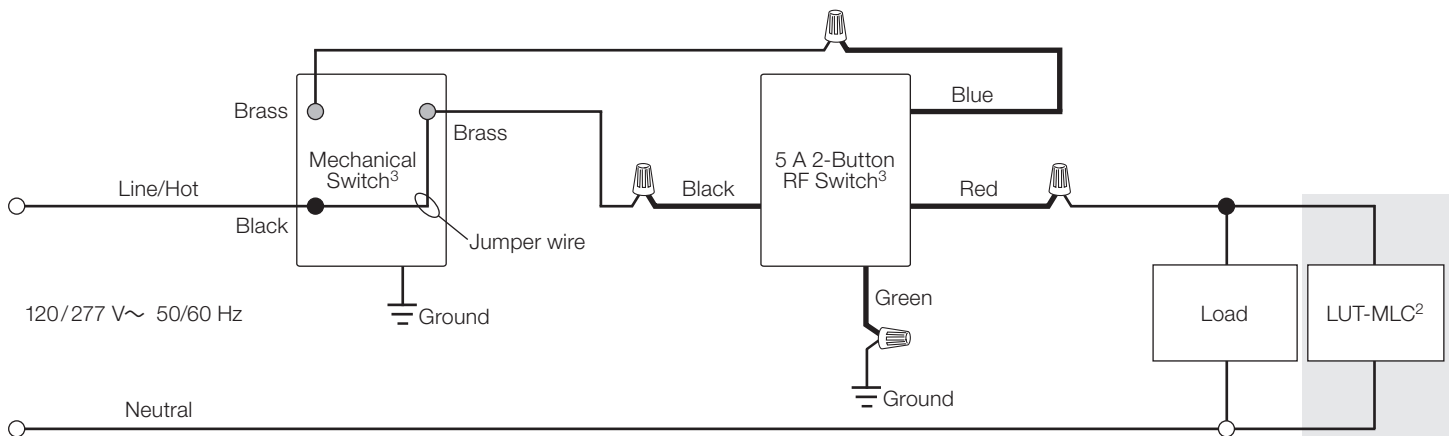
Wiring Diagrams

Single Location Installation



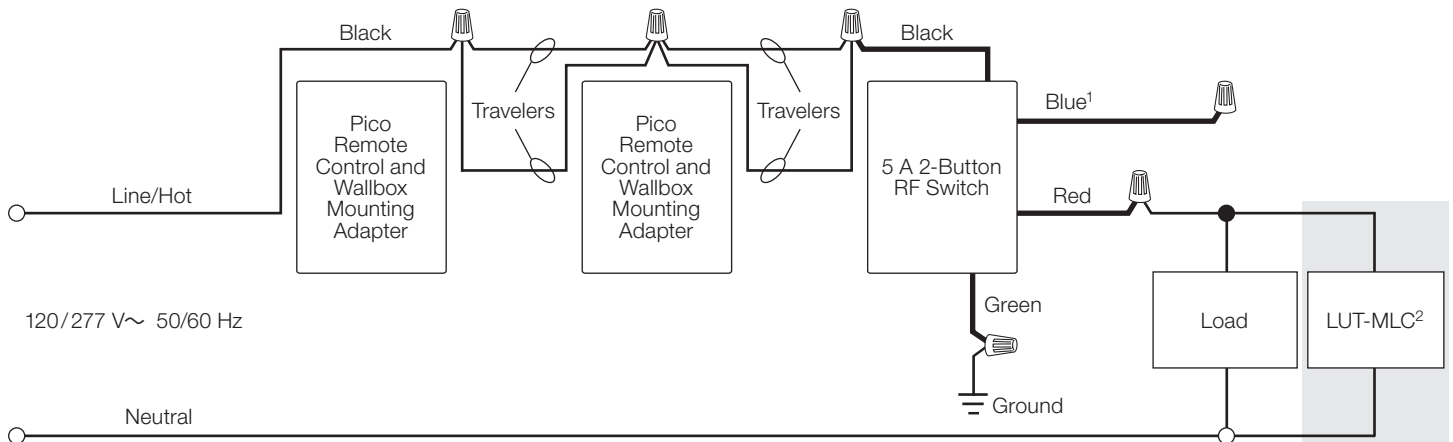
3-Way Installation

With mechanical switch



Multi-location Installation (for installations where 3 or more switches control the load)

With Pico remote controls (PJ2-2B-xx) and wallbox mounting adapters (PICO-WBX-ADAPT)



¹ When using controls without mechanical 3-way switch, cap the blue terminal. **Do not** connect the blue wire to any other wiring or to ground.

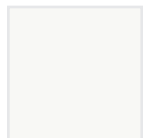
² A LUT-MLC ensures proper function when CFL/LED, fluorescent, or ELV loads are used. Install the LUT-MLC inside a load fixture or in a separate junction box within the circuit. *If controlling Type B TLED bulbs, consult Application Note #812 (P/N 048812) on www.lutron.com*

³ Location of RF switch and mechanical switch may be reversed.

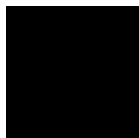
Job Name:	Model Numbers:
Job Number:	

Colors and Finishes

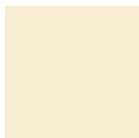
Gloss Finishes



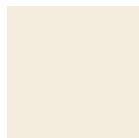
White
WH



Black
BL



Ivory
IV



Light Almond
LA

Due to printing limitations, colors and finishes shown cannot be guaranteed to perfectly match actual product colors.

The Lutron logo, Lutron, Claro, Clear Connect, FASS, Pico, and Radio Powr Savr are trademarks or registered trademarks of Lutron Electronics Co., Inc. in the US and/or other countries.

LUTRON SPECIFICATION SUBMITTAL

Page

Job Name:	Model Numbers:
Job Number:	