
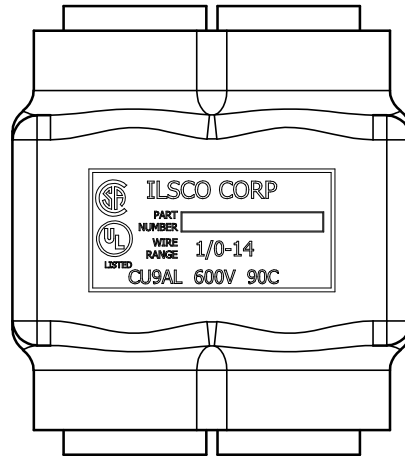
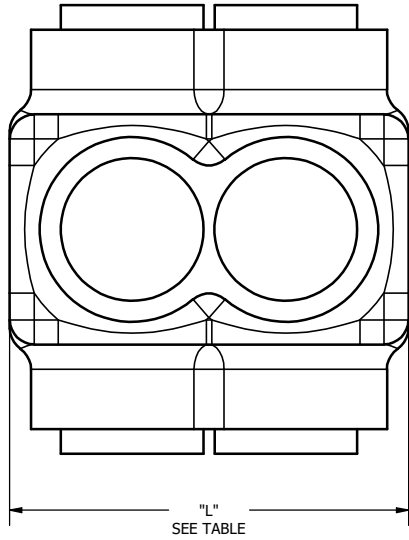
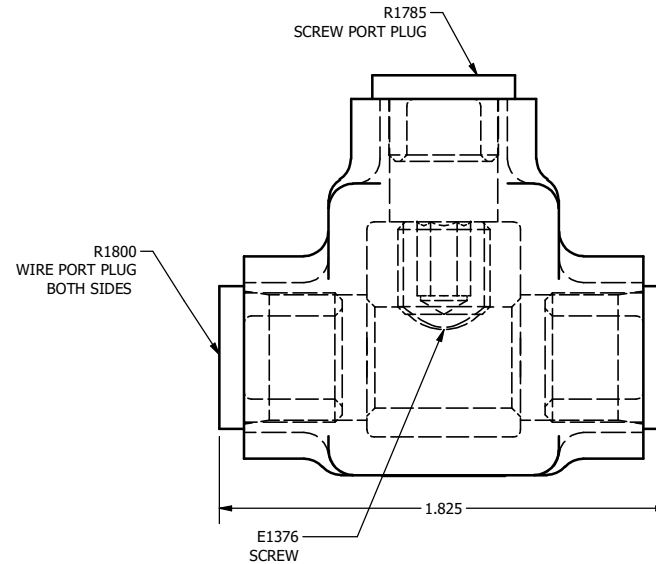
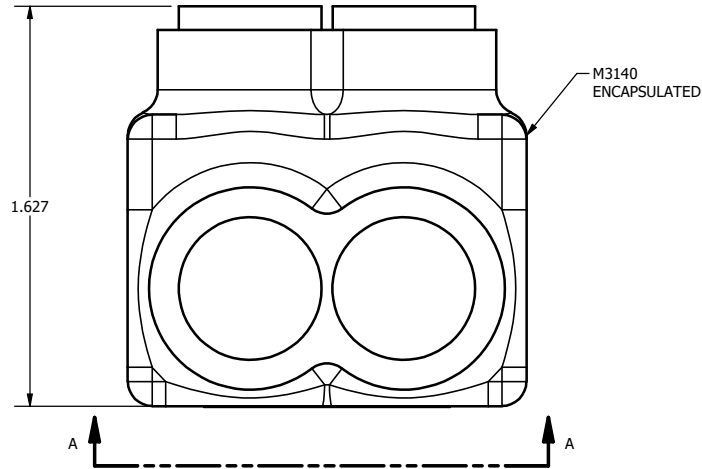
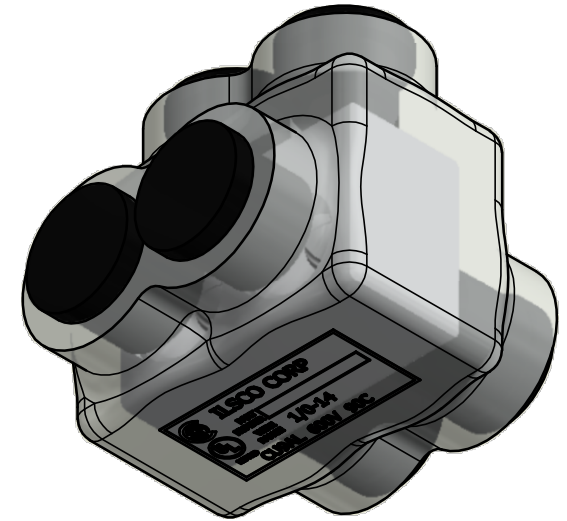


SCREW: E1376	MATERIAL: PLASTISOL CLEAR	REV: E	 800-776-9775 www.ilSCO.com
CAT. NO.: ECTD-X-1/0	PLATING: TIN	DRAWN BY: CLH SCALE: 1.5:1	
INFORMATION SHEET: FORM 12	MARKING: SEE DRAWING	DATE: 1/17/2008 SIZE: B	
DWG NO: M3140			SHEET: 1 OF 1



VIEW A-A
SCALE 2:1



CATALOG #	"L"	# OF PORTS
ECTD-2-1/0	1.623	02
ECTD-3-1/0	2.248	03
ECTD-4-1/0	2.873	04
ECTD-5-1/0	3.498	05
ECTD-6-1/0	4.123	06
ECTD-7-1/0	4.748	07
ECTD-8-1/0	5.373	08
ECTD-9-1/0	5.998	09
ECTD-10-1/0	6.623	10
ECTD-11-1/0	7.248	11
ECTD-12-1/0	7.873	12
ECTD-13-1/0	8.498	13
ECTD-14-1/0	9.123	14