

STAINLESS STEEL STRUT CLAMPS

Features:

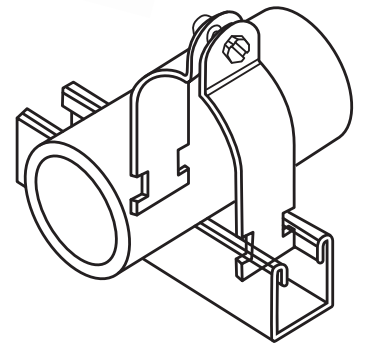
- Manufactured in type 316 stainless steel to meet any stringent sanitary condition
- Polished with standard “brite” finish to increase corrosion resistance and aesthetic appearance
- Designed for use with 1-5/8” stainless channel
- Type 316 stainless steel nut and bolt included
- No package qty. required

Applications:

Used at any point along the slot side of the channel and are inserted into the two channel returns. Designed for use in standard 1-5/8” channels. Supplied with stainless nut and bolt.

Industries Commonly Served:

- Food & Beverage Production & Distribution
- Chemical Plants
- Water & Wastewater Treatment
- Pharmaceuticals & Cosmetics
- Refining & Extraction Sites
- Petrochemical
- Pulp & Paper Mills
- Marine & Coastal Facilities



Part Number	Trade Size (in)	Material Thickness (in)	Design Load (lb)	Bolt Size (in)	Weight each per (lb)
S60500SC00	1/2	0.061	400	1/4 - 20 x 3/4	0.100
S60700SC00	3/4	0.070	600	1/4 - 20 x 3/4	0.140
S61000SC00	1	0.075	600	1/4 - 20 x 3/4	0.160
S61200SC00	1 1/4	0.080	600	1/4 - 20 x 3/4	0.200
S61500SC00	1 1/2	0.095	800	5/16 - 18 x 1	0.260
S62000SC00	2	0.105	800	5/16 - 18 x 1	0.340
S62500SC00	2 1/2	0.105	800	5/16 - 18 x 1	0.360
S63000SC00	3	0.105	800	5/16 - 18 x 1	0.400
S63500SC00	3 1/2	0.115	1000	3/8 - 16 x 1 1/4	0.540
S64000SC00	4	0.125	1000	3/8 - 16 x 1 1/4	0.700

All dimensions are for informational purposes only *Tolerances +/- 5%



For more info visit atkore.com/calbrite

