

Project		Catalog #		Type	
Prepared by		Notes		Date	



Portfolio

LDSSQ6C | EU6C | 6LBSSQ

6" Shallow Square, new construction downlight

250-4000 Lumens

Typical Applications

Office • Education • Healthcare • Hospitality • Retail • Code-Compliance Areas • Sports Venues

Interactive Menu

- Order Information page 2
- Product Specifications page 3
- Energy Data page 4
- Photometric Data page 5
- Connected System page 6
- Product Warranty

Product Certification



Product Features



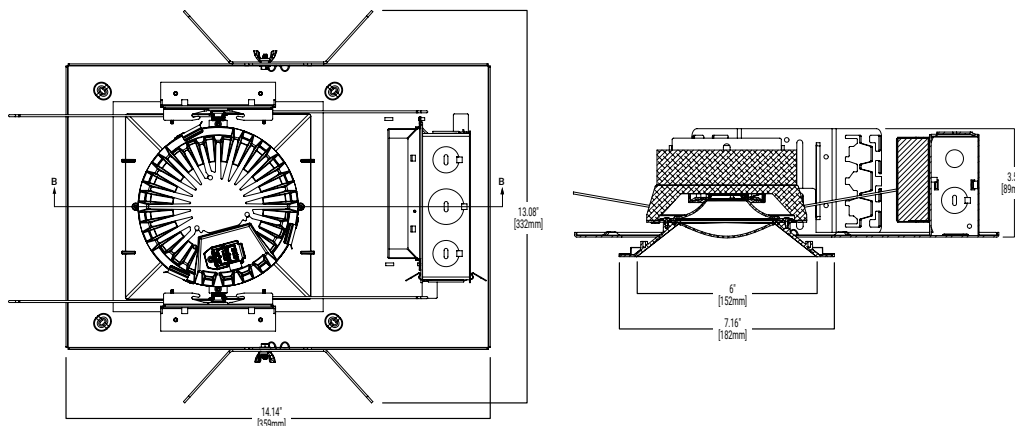
Control Compatibility



Top Product Features

- 250-4000 lumens; Offered in 90 and 97 CRI; ENERGY STAR® qualified
- Easy disconnect for LED engine replacement and installation
- Optional snap in driver for ease of replacement
- Standard 0-10V driver dims to 1%
- 2400K, 2700K, 3000K, 3500K, 4000K, 5000K; D2W™ option from 3000K to 1850K
- Available W2N tunable white CCT range 2700K to 6500K or 2000K to 5000K

Dimensional and Mounting Details



Single Line Order Information

SAMPLE ORDER NUMBER: **LDSSQ6C109030D010SQ1LI**

Invoice will indicate separate fixture components (housing, trim, module) which will ship complete from a single CLS facility in separate cartons. To receive separate components (housing, trim, module) shipment, click on the "Multi-Line Ordering Information Option" button to the right.

 Multi-line Ordering Information Option

Housing	Lumen ⁽¹⁾	Color Control	CCT ⁽¹¹⁾	
LDSSQ6C=LED Shallow Square Downlight 6" Nominal Aperture LDSSQ6CCP=LED Shallow Square Downlight 6" Nominal Aperture, Chicago Plenum	02 = 250 lumens, IC rated 05 = 500 lumens, IC rated 08 = 800 lumens, IC rated 10 = 1000 Lumens 10IC = 1000 Lumens, IC rated 15 = 1500 Lumens 15IC = 1500 Lumens, IC rated	20 = 2000 Lumens 25 = 2500 lumens 30 = 3000 Lumens 35 = 3500 lumens 40 = 4000 lumens	90=90 CRI Minimum 97=97 CRI Minimum	90 CRI 97 CRI 24=2400K 27=2700K 30=3000K 35=3500K 40=4000K 50=5000K

Driver	Driver Options	Hanger Bars
D010 = 0-10V Dimming, 1% to 100%, 120V-277V up to 4000 lumens 3D010=0-10V Dimming, 1% to 100%, 347V dedicated drivers for 800 to 4000 lumens; 250 and 500 use step down transformer	Blank = Standard mount driver PD = Plug in Driver ⁽¹⁷⁾	Blank = Without hanger bars B26 = C-channel Bar Hanger, 26" Long, Pair
D010TR=0-10V (120-277V) or Line Voltage (120V) dimming, 5-100%, 250-4000 lumens (up to 3000 lumens for remote driver) 3D010TR=0-10V Dimming, 5% to 100%, 347V step down transformer 250-4,000		
DE010 = 0-10V Dimming, 0% to 100%, 120V-277V 500-4000 lumens 3DE010=0-10V Dimming, 0% to 100%, 347V step down transformer 500-4000 lumens		
D5LT = Fifth Light [®] (DALI T6) Logarithmic Dimming, 0% to 100%, 120V-277V, 500-4000 lumens 3D5LT=Fifth Light [®] (DALI T6) Logarithmic Dimming, 0% to 100% 347V step down transformer, 500-4000 lumens		
DMX = DMX/RDM Logarithmic Dimming, 0% to 100%, 120V-277V 800-4000 lumens ⁽⁶⁾ 3DMX=DMX/RDM Logarithmic Dimming, 0% to 100%, 347V step down transformer, 800-4000 ⁽⁶⁾		
DMXC5 = DMX/RDM Logarithmic Dimming, 0% to 100%, 120V-277V, 800-4000 lumens, RJ45 Connection ⁽⁶⁾ 3DMXC5=DMX/RDM Logarithmic Dimming, 0% to 100%, 347V step down transformer, 800-4000, RJ45 Connection ⁽⁶⁾		
DLE = Lutron Ecosystem dimming 1% to 100%, 120V-277V, 800-3500 lumens 3DLE=Lutron Ecosystem dimming 1% to 100%, 120V-277V, step down transformer, 800-3500 lumens		
DLV = Low voltage dimming driver (1-100%) for use with DLVP system 800-3000 lumens ⁽³⁾		

Trim Distribution ⁽⁵⁾	Trim Flange	Trim Finish	Options ^{(3) (8)}
CSSQ=Cast Shallow Square, Die Cast Aluminum	1=Self-flanged ⁽⁵⁾ 2=White Painted Self-flanged 3 = Flangeless for use with plaster lathing ring 4=Knife edge rimless use with die cast only ⁽¹³⁾	MW=Matte White (Antimicrobial) MB=Matte Black MMS=Matte Metallic Silver	EM6=6W Emergency Module with Remote Test Switch WPN = WaveLinX PRO Wireless Node without sensor ^{(11) (20)} WLN = WaveLinX LITE Wireless Node without sensor ^{(19) (20)}
PSSQMW1=Non-Conductive Shallow (dead front), Self Flanged, White ⁽¹⁶⁾			

Accessories (Sold separately) ⁽¹⁸⁾	
LGSKT6SQIP66=IP66 Gasket Kit PRSQ6 = Rimless Plaster Ring ⁽²⁾ RPMSQ6MW=Rimless Millwork Ring, Matte White ⁽²⁾ RPMSQ6MB=Rimless Millwork Ring, Matte Black ⁽²⁾ RKPSQ6 = Knife Edge plaster Ring ⁽¹⁴⁾ RKMSQ6MW=Knife Edge Millwork Ring, Matte White ⁽¹⁴⁾ RKMSW6MB=Knife Edge Millwork Ring, Matte Black ⁽¹⁴⁾	Bar Hangers HB50=C-channel Bar Hanger, 50" Long, Pair RMB22=Wood Joist Bar Hanger, 22" Long, Pair Connected Lighting Systems ^{(9) (7)} WPST = Field installed WaveLinX PRO Sensor Kit ⁽⁹⁾ WLST = Field installed WaveLinX LITE Sensor Kit ⁽¹⁰⁾

Notes:

- Nominal Lumens will vary depending on selected color, CRI, driver and reflector finish. Reference Multiplier tables.
- Order trim with flange type 3.
- Not available with Chicago Plenum.
- ULus listed only
- Flange is the same finish as the reflector
- DMX fixtures default to full on upon loss of DMX signal
- Refer to system specifications for additional information, features, and benefits. Use with 0-10V driver.
- Non-IC
- WLST = WaveLinX LITE tilemount sensor kit for daylight dimming, PIR motion sensing, use with D010 only (Refer to WaveLinX LITE system specifications)
- WPST = WaveLinX PRO wireless sensor kit for daylight dimming, PIR motion sensing, and optional RLTS - Real Time Location Services, use with 0-10V only.

- WPN = WaveLinX PRO wireless node provides luminaire level control with scene and zone configuration without an integrated sensor; Connects wirelessly with daylight dimming sensor and PIR motion sensor if desired. Use with D010 or DE010 drivers only.
- Accessory (Requires knife edge accessory ring)
- Order die cast trim with flange type 4
- Limited to 2000 lumens
- Not available with DLVP
- Accessories sold separately will be separately analyzed under domestic preference.
- WLN = WaveLinX LITE wireless node provides luminaire level control with scene and zone configuration without an integrated sensor; Connects wirelessly with daylight dimming sensor and PIR motion sensor if desired. Use with D010 or DE010 drivers only.
- Not compatible with 347V or Chicago plenum.

Product Specifications

Lower Shielding Reflector

- Painted die cast aluminum lower reflector with medium beam or medium beam 45° cutoff with a lensed upper optical chamber providing superior lumen output with minimal source brightness.
- Reflector is retained with two torsion springs holding the flange tight to the finished ceiling surface.
- Plaster lathing ring, knife edge and millwork ring accessory for flush reflector transition

Trim Retention

- Two torsion springs hold reflector flange tightly to the finished ceiling surface

Plaster Frame/Collar

- Galvanized steel plaster frame with adjustable collar adjusts for up to 2" thick ceilings and rotates +/- 7.5°.

Universal Mounting Bracket

- Accepts 1/2" Electric Metallic Tube (EMT), C-channel and bar hangers
- Adjusts 5" vertically from above and below the ceiling

Junction box

- Four 1/2" and two 3/4" trade size pry outs positioned to allow straight conduit runs
- Lever connectors for simple push in wiring
- Listed for (4) #12 AWG (two in, two out) 90°C conductors and feed thru branch wiring for type IC and Plug in drivers for 120/277V only. For all other cases (8) #12 AWG (four in, four out) 90°C conductors and feed thru branch wiring for 120/277V only

Thermal

- Aluminum heat sink conducts heat away from the LED module for improved performance and longer life

LED System

- Contains a plurality of high brightness white LED's combined with a high reflectance upper reflector and convex transitional lens producing even distribution without pixilation
- Auto resetting, thermally protected, LED's are turned off when safe operating temperatures are exceeded
- Quick disconnect allows for tool-less replacement of LED engine from below ceiling
- 90 and 97 CRI
- 90 & 97CRI: L78 55,000 hours for 1000-2000 lumens, L90 55,000 for all other lumen output
- Color variation within 2-step MacAdam ellipses
- Available in 2400K, 2700K, 3000K, 3500K, 4000K and 5000K correlated color temperature (CCT)

Vividtune and High CRI

- 98 CRI and W2N: L70 55,000 hours
- D2W™ – dim-to-warm shifts CCT from 3000K to 1850K as fixture dims mimicking halogen sources.
- W2N - Tunable white CCT range 2700K to 6500K or 2000K to 5000K, 90 CRI. Standard
- **98 CRI** With a full-spectrum approach using broad-blue chip technology and special phosphor blends, Thrive is able to closely match the spectrum of the sun across all color temperatures. Benefits of the natural spectrum of the sun using Thrive include superior accurate color rendering, reduced eye strain, and a higher sense of emotional well-being.
- See dedicated specification sheet for more details.

Driver

- Standard 120-277V 0-10V dimming driver provides flicker free dimming from 100% to 1%
- Optional 120V leading edge/0-10V, <1% 0-10V, Fifth Light, DMX or Lutron® Ecosystem
- Driver can be serviced from above or through the aperture
- Distributed low voltage power system combines power, lighting, and controls with ease of installation.
- Optional magnetically guided snap in driver for ease of maintenance.

Emergency Option

- 6W battery provides 90 minutes of standby lighting, meeting most life safety codes for egress lighting
- UL 924 listed

Connected Lighting System

Two WaveLinX connected solutions to choose from. Refer to WaveLinX system specifications and application guides for details.

WaveLinX PRO Tilemount Sensor Kit

- WaveLinX PRO WPST tilemount sensor kit offers daylight dimming, PIR motion sensing, scene and zone configuration, automatic commissioning; and optional RLTS - Real Time Location Services available.

WaveLinX PRO Wireless Node

- WaveLinX PRO WPN wireless node provides luminaire-level control with scene and zone configuration without an integrated sensor; Connects wirelessly with daylight dimming sensor and PIR motion sensor if desired. Use with 0-10V driver only. **Note:** Not compatible with 347V or Chicago plenum.

WaveLinX LITE Tilemount Sensor Kit

- WaveLinX LITE WLST tilemount sensor kit offers daylight dimming and PIR motion sensing, scene and grouping configuration.

WaveLinX LITE Wireless Node

- WaveLinX LITE WLN wireless node provides luminaire level control with scene and zone configuration without an integrated sensor; Connects wirelessly with daylight dimming sensor and PIR motion sensor if desired. Use with 0-10V driver only. **Note:** Not compatible with 347V or Chicago plenum.

WaveLinX Tilemount Kits Application

- The WPST and WLST tilemount kits include a control module mounted on the luminaire junction box via 1/2" knock-out, and a tilemount sensor on 54-inch whip; for ceiling installation by direct-mount spring clips or via mounting bracket in octagon ceiling boxes.
- The WPST and WLST tilemount kits may be ordered as factory installed on the luminaire, or ordered separately as a field installed accessory kit.
- **Note: WaveLinX PRO devices are only compatible with the WaveLinX PRO system.**
- **Note: WaveLinX LITE devices are only compatible with the WaveLinX LITE system.**

Code Compliance

- Thermally protected
- cULus Certified to UL 1598 / C22.2 No. 250.0 suitable for wet locations with downlight; damp location with wall wash and hyperbolic with covered ceiling
- IP66 rated when used with IP66 gasket kit accessory
- Optional City of Chicago environmental air (CCEA) marking for plenum applications
- FCC CFR Title 47 Part 15 Class B at 120VAC and Class A at 277VAC
- Insulated ceiling (IC) rated up to 1,500 lumens (90 and 97CRI). All others are non-IC rated (insulation must be kept 3" from top and sides of housing).
- Can be used for State of California Title 24 high efficacy LED compliance under JA8, reference Modernized Appliance Efficiency Database System (MAEDBS) for 2016 JA8 High Efficacy Lighting
- RoHS compliant
- Photometric testing completed in accordance with IES LM-79
- LED life testing completed in accordance with IES LM-80-08 and TM-21-11 standards

Warranty

- Five year warranty www.cooperlighting.com/legal

Energy and Performance Data

D010 DRIVER ENERGY DATA

Series	250 lumen		500 lumen		800 lumen		1000 lumen		1500 lumen		2000 lumen	
	120V	277V	120V	277V	120V	277V	120V	277V	120V	277V	120V	277V
Input Voltage 120-277VAC	120V	277V	120V	277V	120V	277V	120V	277V	120V	277V	120V	277V
Input Current (A)	0.029	0.017	0.061	0.032	0.085	0.041	0.084	0.042	0.135	0.063	0.189	0.084
Input Power (W)	3.45	3.87	7.33	7.78	10.15	10.52	10.04	10.43	16.17	16.56	22.58	22.63
In-rush (A)	2.1	8.5	3.7	8.5	3.6	8.3	3.6	8.4	2.3	9.5	2.1	9.7
Inrush duration (µs)	250	131	190	136	220	135	226	136	230	125	243	132
THDi (%)	7.21	16.92	7.82	10.78	5.57	9.63	7.78	9.24	4.75	9.93	8.03	7.44
PF	≥ 0.98	≥ 0.9	≥ 0.99	≥ 0.93	≥ 0.99	≥ 0.95	≥ 0.99	≥ 0.95	≥ 0.99	≥ 0.94	≥ 0.99	≥ 0.96

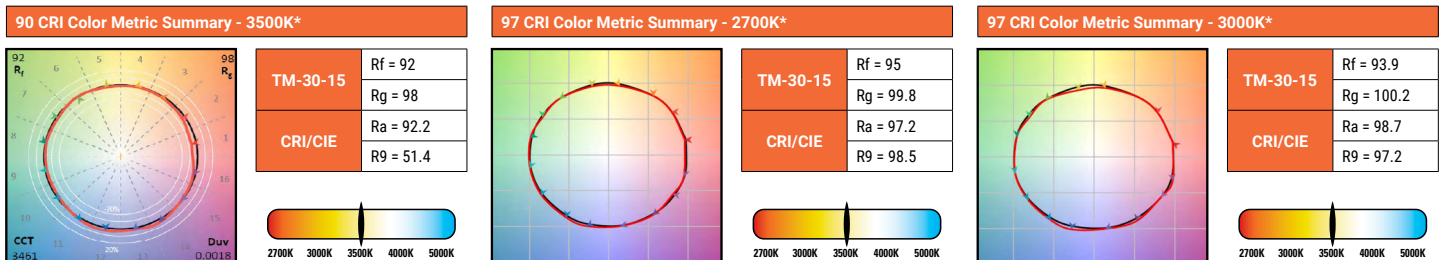
Series	2500 lumen		3000 lumen		3500 lumen		4000 lumen	
	120V	277V	120V	277V	120V	277V	120V	277V
Input Voltage 120-277VAC	120V	277V	120V	277V	120V	277V	120V	277V
Input Current (A)	0.276	0.121	0.276	0.121	0.333	0.152	0.404	0.181
Input Power (W)	32.98	32.57	32	32.57	39.83	39.84	48.38	47.94
In-rush (A)	2.5	11.8	3.6	11.8	3.1	14.3	3.1	14.5
Inrush duration (µs)	215	111	220	111	200	94	197	95
THDi (%)	9.86	6.57	5.57	6.57	4.25	10.05	5.02	7.97
PF	≥ 0.99	≥ 0.97	≥ 0.99	≥ 0.99	≥ 0.99	≥ 0.94	≥ 0.99	≥ 0.95

Minimum starting temperature -30°C (-22°F)*
(Nominal input 120-277VAC & 100% of rated output power)

Sound Rating: Class A standards

Notes:
Emergency Battery packs are rated for a minimum starting temperature of 0°C.

COLOR METRICS - TM-30-15 & CRI/CIE



* Color values are based on haze reflector, other finishes and field results may vary.

Photometric Data

[View IES files](#)

SHALLOW SQUARE MATTE WHITE		CANDLEPOWER DISTRIBUTION		CONE OF LIGHT		CANDELA TABLE		ZONAL LUMEN SUMMARY			LUMINANCE																									
Test Number	P563397	Downlight				Degrees Vertical	Candela	Zone	Lumens	% Fixture	Average Candela Degrees	Average 0° Luminance																								
Housing	LDSSQ6C20D010			<table border="1"> <thead> <tr> <th>D</th> <th>FC</th> <th>L</th> <th>W</th> </tr> </thead> <tbody> <tr><td>4'</td><td>58.2</td><td>4.8</td><td>4.8</td></tr> <tr><td>7'</td><td>19</td><td>8.6</td><td>8.4</td></tr> <tr><td>9'</td><td>11.5</td><td>11</td><td>10.8</td></tr> <tr><td>13'</td><td>5.5</td><td>15.8</td><td>15.6</td></tr> <tr><td>16'</td><td>3.6</td><td>19.6</td><td>19.4</td></tr> </tbody> </table>		D	FC	L	W	4'	58.2	4.8	4.8	7'	19	8.6	8.4	9'	11.5	11	10.8	13'	5.5	15.8	15.6	16'	3.6	19.6	19.4	0	926	0-30	713	31.9	37	37396
D	FC	L	W																																	
4'	58.2	4.8	4.8																																	
7'	19	8.6	8.4																																	
9'	11.5	11	10.8																																	
13'	5.5	15.8	15.6																																	
16'	3.6	19.6	19.4																																	
Module	EU6C10259035					5	926	0-40	1158	51.8	45	34933																								
Trim	6LBCSSQMW					15	885	0-60	1969	88.1	55	30251																								
Lumens	2236					25	829	0-90	2236	100	65	19347																								
Efficacy	102.6 Lm/W					35	720	90-180	0	0	75	4541																								
SC	1.22					45	574	0-180	2236	100	85	0																								
UGR	25.1					55	403																													
						65	190																													
						75	27																													
						85	0																													
						90	0																													

SHALLOW SQUARE MATTE METALLIC SILVER		CANDLEPOWER DISTRIBUTION		CONE OF LIGHT		CANDELA TABLE		ZONAL LUMEN SUMMARY			LUMINANCE																									
Test Number	P563396	Downlight				Degrees Vertical	Candela	Zone	Lumens	% Fixture	Average Candela Degrees	Average 0° Luminance																								
Housing	LDSSQ6C20D010			<table border="1"> <thead> <tr> <th>D</th> <th>FC</th> <th>L</th> <th>W</th> </tr> </thead> <tbody> <tr><td>4'</td><td>47.6</td><td>4.8</td><td>4.8</td></tr> <tr><td>7'</td><td>15.6</td><td>8.6</td><td>8.4</td></tr> <tr><td>9'</td><td>9.4</td><td>11</td><td>10.8</td></tr> <tr><td>13'</td><td>4.5</td><td>15.8</td><td>15.6</td></tr> <tr><td>16'</td><td>3</td><td>19.6</td><td>19.4</td></tr> </tbody> </table>		D	FC	L	W	4'	47.6	4.8	4.8	7'	15.6	8.6	8.4	9'	9.4	11	10.8	13'	4.5	15.8	15.6	16'	3	19.6	19.4	0	758	0-30	583	31.9	37	30587
D	FC	L	W																																	
4'	47.6	4.8	4.8																																	
7'	15.6	8.6	8.4																																	
9'	9.4	11	10.8																																	
13'	4.5	15.8	15.6																																	
16'	3	19.6	19.4																																	
Module	EU6C10259035					5	758	0-40	947	51.8	45	28576																								
Trim	6LBCSSQMMS					15	724	0-60	1611	88.1	55	24742																								
Lumens	1829					25	678	0-90	1829	100	65	15822																								
Efficacy	83.9 Lm/W					35	589	90-180	0	0	75	3726																								
SC	1.22					45	469	0-180	1829	100	85	0																								
UGR	25.1					55	330																													
						65	155																													
						75	22																													
						85	0																													
						90	0																													

Photometric Multipliers (Nominal Lumen Values)

250 Lumen	500 Lumen	800 Lumen	1000 Lumen	1500 Lumen	2000 Lumen	2500 Lumen	3000 Lumen	3500 Lumen	4000 Lumen
0.224	0.423	0.569	0.653	1.00	1.29	1.62	1.902	1.74	2.02

Multipliers for relative lumen values with other series models.

CCT Multipliers – 90CRI

2400K	2700K	3000K	3500K	4000K	5000K
0.912	0.949	0.986	1	1.001	1.022

Multipliers for relative lumen values with other series color temperatures.

CCT Multipliers – 97CRI

2700K	3000K	3500K	4000K	5000K
0.889	0.955	1	1.016	1.07

Multipliers for relative lumen values with other series color temperatures.

Connected Systems

WaveLinx LITE - WLST Tilemount Sensor

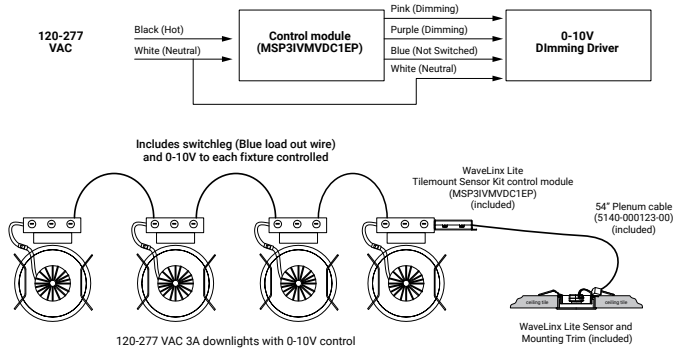
WaveLinx LITE devices only compatible with the WaveLinx LITE system.



- Intuitive Android™ or Apple® iOS® app for basic system code compliant set up and configuration via Bluetooth
- Up to 28 unique areas per project site (WaveLinx LITE Bluetooth network)
- Up to 50 devices for an area, any one of 16 control zones, up to 6 occupancy sets, and custom lighting scenes
- Automatic occupancy or vacancy, sensor sensitivity, daylight dimming, etc. configurable through the app
- Refer to the WaveLinx system specifications for details



WaveLinx LITE WLST Tilemount Wiring Diagram



WaveLinx LITE Bluetooth Enabled System



WaveLinx PRO Wireless – WPST Tilemount Sensor

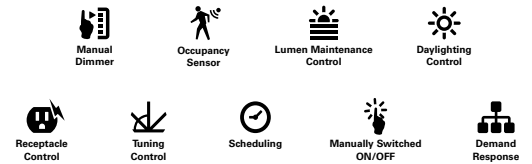
WaveLinx PRO devices only compatible with the WaveLinx PRO system.



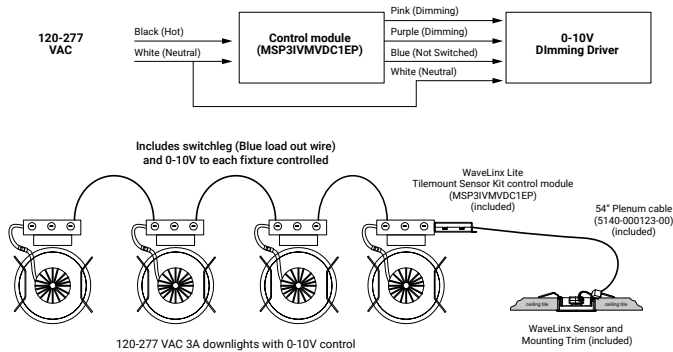
- WaveLinx PRO Wireless functionality configures zones and customizes settings from one secure mobile app
- Automatic code commissioning that meets the strictest codes
- Fixtures and sensors integrate with Wireless Area Controller, Wall Stations, and Control Devices
- Stand-Along Offices or Entire Building Network Installations



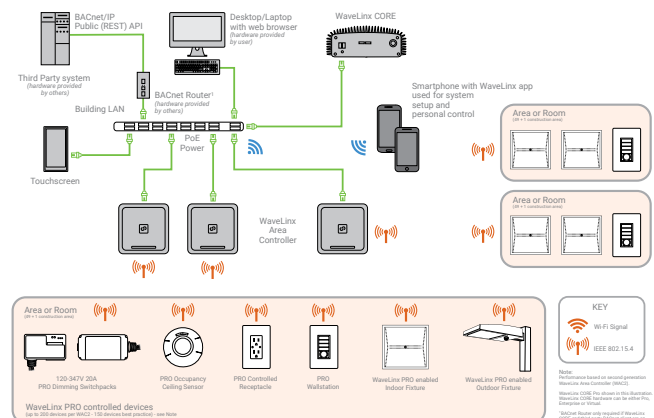
WaveLinx mobile app settings



WaveLinx PRO WPST Tilemount Wiring Diagram



WaveLinx CORE Building Management Integration



Connected Solutions



WaveLinx LITE Wireless Node - WLN

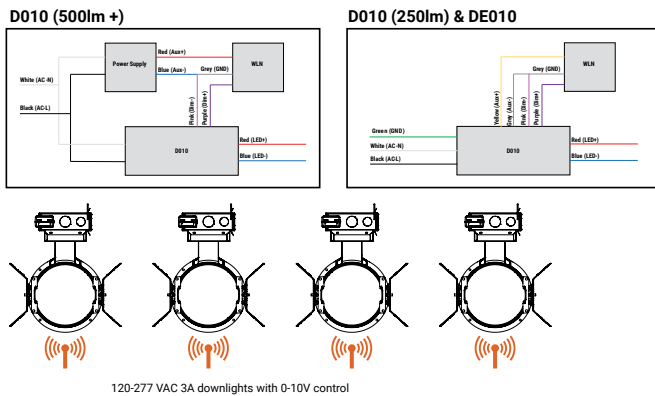
WaveLinx LITE devices only compatible with the WaveLinx LITE system.

- Intuitive Android™ or Apple® iOS® app for basic system code compliant set up and configuration via Bluetooth
- Up to 28 unique areas per project site (WaveLinx LITE Bluetooth network)
- Up to 50 devices for an area, any one of 16 control zones, up to 6 occupancy sets, and custom lighting scenes
- Refer to the WaveLinx system specifications for details
- Not available with BioUp or Tunable White

WaveLinx mobile app settings



WaveLinx LITE Wireless Node (WLN) Wiring Diagram



WaveLinx LITE Bluetooth Enabled System



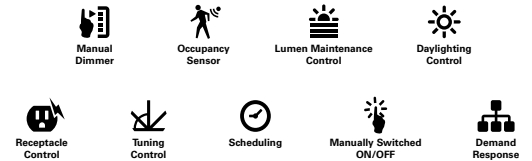
WaveLinx PRO Wireless Node - WPN

WaveLinx PRO devices only compatible with the WaveLinx PRO system.

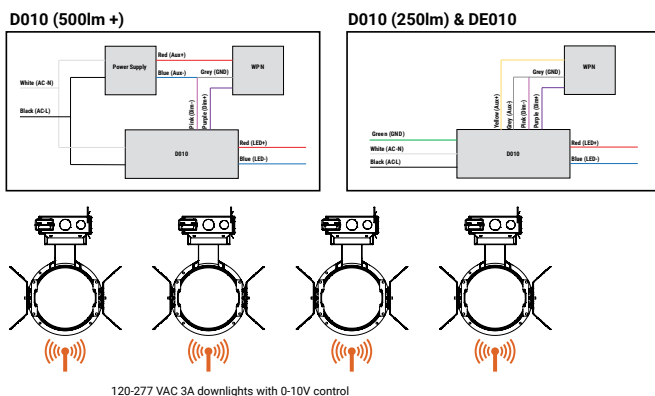
- WaveLinx Wireless functionality configures zones and customizes settings from one secure mobile app
- Automatic code commissioning that meets the strictest codes
- Fixtures and sensors integrate with WaveLinx Area Controller, Wall Stations, and Control Devices
- Stand-Alone Offices or Entire Building Network Installations



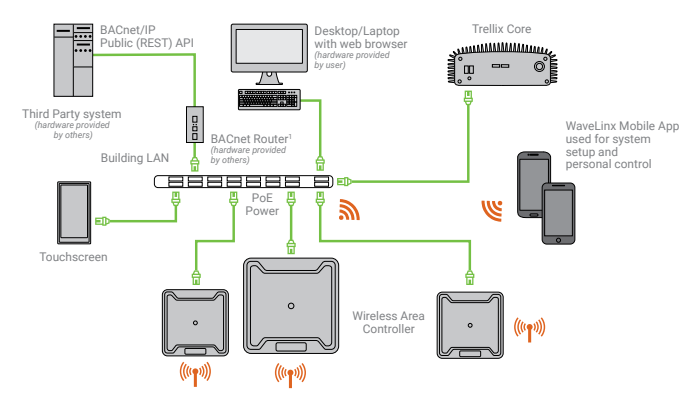
WaveLinx mobile app settings



WaveLinx PRO Wireless Node (WPN) Wiring Diagram



WaveLinx CORE Building Management Integration



Multi-line Order Information

SAMPLE ORDER NUMBER: **LDSSQ6C10D010TRIEM14**

Invoice will indicate separate fixture components (housing, trim, module) and may ship from multiple CLS facilities in separate cartons.

 Single line Ordering Information Option

Housing	Lumens ⁽²⁾	
LDSSQ6C =LED Square Downlight 6" Nominal Aperture	02 =250 lumens	20 =2000 lumens
LDSSQ6CCP =LED Square Downlight 6" Nominal Aperture, Chicago Plenum	05 =500 lumens	25 =2500 lumens
	08 =800 lumens	30 =3000 lumens
	10 =1000 lumens	35 =3500 lumens
	15 =1500 lumens	40 =4000 lumens

Specify from Driver column. Information below for reference only.

Driver	Remote driver & plug in driver
D010 = 0-10V Dimming, 1% to 100%, 120V-277V up to 4000 lumens (up to 3000 lumens for remote driver) 1D010 =0-10V Dimming, 1% to 100%, 120V, 3500 to 4000 lumens for remote driver only 2D010 =0-10V Dimming, 1% to 100%, 277V, 3500 to 4000 lumens for remote driver only 3D010 =0-10V Dimming, 1% to 100%, 347V dedicated drivers for 800 to 4000 lumens; 250, and 500 use step down transformers	250-4000 with 90 & 97 CRI
D010TR =0-10V (120-277V) or Line Voltage (120V) dimming, 5-100%, 250-4000 lumens (up to 3000 lumens for remote driver) 1DE010 =0-10V or Line Voltage Dimming, 0% to 100%, 120V, 3500 to 4000 lumens for remote driver only 2DE010 =0-10V Dimming, 0% to 100%, 277V, 3500 to 4000 lumens for remote driver only 3DE010TR =0-10V Dimming, 5% to 100%, 347V step down transformer 250-4,000	250-4000 with 90 & 97 CRI
DE010 = 0-10V Dimming, 0% to 100%, 120V-277V 500-4000 lumens (up to 3000 lumens for remote driver) 1D010TR =0-10V Dimming, 5% to 100%, 120V, 3500 to 4000 lumens for remote driver only 2D010TR =0-10V Dimming, 5% to 100%, 277V, 3500 to 4000 lumens for remote driver only 3DE010 =0-10V Dimming, 0% to 100%, 347V step down transformer 500-4000 lumens	500-4000 with 90 & 97 CRI
D5LT = Fifth Light [®] (DALI T6) Logarithmic Dimming, 0% to 100%, 120V-277V, 500-4000 lumens (up to 3000 lumens for remote driver) 1D5LT =Fifth Light [®] (DALI T6) Logarithmic Dimming, 0% to 100%, 120V, 3500 to 4000 lumens for remote driver only 2D5LT =Fifth Light [®] (DALI T6) Logarithmic Dimming, 0% to 100%, 277V, 3500 to 4000 lumens for remote driver only 3D5LT =Fifth Light [®] (DALI T6) Logarithmic Dimming, 0% to 100% 347V step down transformer, 500-4000 lumens	500-4000 with 90 & 97 CRI
DMX = DMX/RDM Logarithmic Dimming, 0% to 100%, 120V-277V 800-4000 lumens (up to 3000 lumens for remote driver) ⁽⁵⁾ 1DMX = DMX/RDM Logarithmic Dimming, 0% to 100%, 120V, 3500 to 4000 lumens for remote driver only ⁽⁵⁾ 2DMX =DMX/RDM Logarithmic Dimming, 0% to 100%, 277V, 3500 to 4000 lumens for remote driver only ⁽⁵⁾ 3DMX =DMX/RDM Logarithmic Dimming, 0% to 100%, 347V step down transformer, 800-4000 ⁽⁵⁾	800-4000 with 90 & 97 CRI
DMXC5 = DMX/RDM Logarithmic Dimming, 0% to 100%, 120V-277V, 800-4000 lumens, RJ45 Connection (up to 3000 lumens for remote driver) ⁽⁵⁾ 1DMXC5 =DMX/RDM Logarithmic Dimming, 0% to 100%, 120V, 3500 to 4000 lumens for remote driver only, RJ45 Connection ⁽⁵⁾ 2DMXC5 =DMX/RDM Logarithmic Dimming, 0% to 100%, 277V, 3500 to 4000 lumens for remote driver only, RJ45 Connection ⁽⁵⁾ 3DMXC5 =DMX/RDM Logarithmic Dimming, 0% to 100%, 347V step down transformer, 800-4000, RJ45 Connection ⁽⁵⁾	800-4000 with 90 & 97 CRI
DLE = Lutron Ecosystem dimming 1% to 100%, 120V-277V, 800-3500 lumens (up to 3000 lumens for remote driver) 1DLE =Lutron Ecosystem dimming 1% to 100%, 120V, 3500 lumens for remote driver only 2DLE =Lutron Ecosystem dimming 1% to 100%, 277V, 3500 lumens for remote driver only 3DLE =Lutron Ecosystem dimming 1% to 100%, 347, step down transformer, 800-3500 lumens	800-3500 with 90 & 97 CRI
DLV = Low voltage dimming driver (1-100%) for use with DLVP system 800-3000 lumens ⁽⁶⁾	800-4000 with 90 & 97 CRI (Not offered with plug in driver)

Driver Options	Options ^{(6) (19) (20) (21)}
Blank =Integral driver R =Remote driver (order remote driver separately) PD =Plug in Driver ⁽⁶⁾	EM6 =6W Emergency Module with Remote Test Switch WPN = WaveLinX PRO Wireless Node without sensor ^{(24) (26)} WLN = WaveLinX LITE Wireless Node without sensor ^{(25) (26)}

SAMPLE ORDER NUMBER: **EU6C10259035**

Power Module	Lumen Levels ⁽²⁾	CRI ⁽²⁾	Color	
EU6C =6-inch Universal LED Module	02081C =250, 500, 800 lumens, IC Rated (For use with all drivers, min 500 lumen with DE010 and D5LT, min 800 lumens with DLVP, Lutron and DMX) 1025 = 1000, 1500, 2000, 2500 lumens 10151C =1000, 1500 lumens IC Rated 3040 =3000, 3500, 4000 lumens (For use with Lutron 3000-3500, DLVP 3000 lumens, DMX, D010, D010TR, D5LT and DE010 3000-4000)	90 =90 CRI Minimum 97 =97 CRI Minimum	90 CRI 24 =2400K 27 =2700K 30 =3000K 35 =3500K 40 =4000K 50 =5000K	97 CRI 27 =2700K 30 =3000K

Continued on next page.

Multi-line Order Information

SAMPLE ORDER NUMBER: **6LBM2H**

Trim	Reflector	Flange	Finish
6LB=6" Reflector	CSSQ =Cast Shallow Square, Die Cast Aluminum	1 =Self flanged ⁽¹⁴⁾ 2 =White painted self flanged 4 =Knife edge rimless use with die cast only ⁽¹⁵⁾	MW =Matte White MB =Matte Black MMS =Matte Metallic Silver
	PSSQMW1 =Non-Conductive Shallow (dead front), Self Flanged, White ⁽²³⁾		

REQUIRED if Remote Driver (R) is specified

SAMPLE ORDER NUMBER: **RC10010D010TREM7**

Remote Drivers ⁽⁶⁾		Lumens ^{(2) (4)}	
RC100 =Remote 100ft	RC15 =Remote 15ft	02 =250 lumens	20 =2000 lumens
RC75 =Remote 75ft	RC5 =Remote 5ft	05 =500 lumens	25 =2500 lumens
RC50 =Remote 50ft	RC2 =Remote 2ft	08 =800 lumens	30 =3000 lumens
RC25 =Remote 25ft		10 =1000 lumens	35 =3500 lumens
		15 =1500 lumens	40 =4000 lumens

Driver
D010 = 0-10V Dimming, 1% to 100%, 120V-277V, 250-3,000 lumens 1D010 = 0-10V Dimming, 1% to 100%, 120V, 3,500-4,000 lumens 2D010 = 0-10V Dimming, 1% to 100%, 277V, 3,500-4,000 lumens 3D010 = 0-10V Dimming, 1% to 100%, 347V dedicated drivers for 800 to 4000 lumens; 250 and 500 lumens use step down transformer
D010TR = 0-10V (120-277V) or Line Voltage (120V) dimming, 5-100%, 250- 3000 lumens 1D010TR = 0-10V or Line Voltage Dimming, 5% to 100%, 120V, 3,500-4,000 lumens 2D010TR = 0-10V Dimming, 5% to 100%, 277V, 3,500-4,000 lumens 3D010TR = 0-10V Dimming, 5% to 100% 347V step down transformer, 250-4,000 lumens
DE010 = 0-10V Dimming, 0% to 100%, 120V-277V, 500-3,000 lumens 1DE010 = 0-10V Dimming, 0% to 100%, 120V, 3,500-4,000 lumens 2DE010 = 0-10V Dimming, 0% to 100%, 277V, 3,500-4,000 lumens 3DE010 = 0-10V Dimming, 0% to 100% 0-10V Dimming 347V step down transformer, 500-4,000 lumens
D5LT = Fifth Light [®] (DALI T6) Logarithmic Dimming, 0% to 100%, 120V-277V, 500-3,000 lumens 1D5LT = Fifth Light [®] (DALI T6) Logarithmic Dimming, 0% to 100%, 120V, 3,500-4,000 lumens 2D5LT =Fifth Light [®] (DALI T6) Logarithmic Dimming, 0% to 100%, 277V, 3,500-4,000 lumens 3D5LT =Fifth Light [®] (DALI T6) Logarithmic Dimming, 0% to 100% 347V step down transformer, 500-4,000 lumens
DMX = DMX/RDM Logarithmic Dimming, 0% to 100%, 120V-277V, 800-3,000 lumens ⁽⁵⁾ 1DMX =DMX/RDM Logarithmic Dimming, 0% to 100%, 120V, 3,500-4,000 ⁽⁵⁾ 2DMX =DMX/RDM Logarithmic Dimming, 0% to 100%, 277V, 3,500-4,000 ⁽⁵⁾ 3DMX =DMX/RDM Logarithmic Dimming, 0% to 100%, 347V step down transformer, 800-4,000 ⁽⁵⁾
DMXC5 = DMX/RDM Logarithmic Dimming, 0% to 100%, 120V-277V up to 800-3,000 lumens, RJ45 Connection ⁽⁵⁾ 1DMXC5 =DMX/RDM Logarithmic Dimming, 0% to 100%, 120V, 3,500-4,000 lumens, RJ45 Connection ⁽⁵⁾ 2DMXC5 =DMX/RDM Logarithmic Dimming, 0% to 100%, 277V, 3,500-4,000 lumens, RJ45 Connection ⁽⁵⁾ 3DMXCF =DMX/RDM Logarithmic Dimming, 0% to 100%, 347V step down transformer, 800-4,000 lumens, RJ45 Connection ⁽⁵⁾
DLE = Lutron Ecosystem dimming 1% to 100%, 120V-277V, 800-3,000 lumens 1DLE =Lutron Ecosystem dimming 1% to 100%, 120V, 3,500 lumens 2DLE =Lutron Ecosystem dimming 1% to 100%, 277V, 3,500 lumens 3DLE =Lutron Ecosystem dimming 1% to 100%, 347V, step down transformer, 800-3,500 lumens
DLV = Low voltage dimming driver (1-100%) for use with DLVP system, 800-3000 lumens ⁽⁶⁾

Options ^{(6) (19) (20) (21)}	Controls
EMB0D =Bodine [®] Emergency Module with Remote Test Switch EMB0D6ST =Bodine [®] 6W Self Test Emergency Module with Remote Test Switch EM7 =7W Emergency Module with Remote Test Switch EM14 =14W Emergency Module with Remote Test Switch	EMB0D7ST =Bodine [®] Self Test Emergency Module EMV7 =7W Low Voltage Emergency Module with Remote Test Switch ⁽⁷⁾ EMV14 =14W Low Voltage Emergency Module with Remote Test Switch ⁽⁷⁾ ETRD =Emergency transfer device ⁽²²⁾
	WPST =Factory installed WaveLinX PRO Sensor Kit ^{(11) (13)} WLST =Factory installed WaveLinX LITE Sensor Kit ^{(11) (12)} WPN = WaveLinX PRO Wireless Node without sensor ^{(24) (226)} WLN = WaveLinX LITE Wireless Node without sensor ^{(25) (26)}

Continued on next page.

Multi-line Order Information

Accessories (Sold separately)⁽¹⁶⁾

LGSKT6SQIP66=IP66 Gasket Kit

PRSQ6 = Rimless Plaster Ring⁽¹⁷⁾

RKPSQ6 = Knife Edge plaster Ring⁽¹⁸⁾

RPMSQ6MW=Rimless Millwork Ring, Matte White⁽¹⁷⁾

RPMSQ6MB=Rimless Millwork Ring, Matte Black⁽¹⁷⁾

RKMSQ6MW=Knife Edge Millwork Ring, Matte White⁽¹⁸⁾

RKMSW6MB=Knife Edge Millwork Ring, Matte Black⁽¹⁸⁾

Bar Hangers

HB26=C-channel Bar Hanger, 26" Long, Pair

HB50=C-channel Bar Hanger, 50" Long, Pair

RMB22=Wood Joist Bar Hanger, 22" Long, Pair

Connected Lighting Systems^{(6) (11)}

WPST = Field installed WaveLinX PRO Sensor Kit⁽¹³⁾

WLST = Field installed WaveLinX LITE Sensor Kit⁽¹²⁾

Notes:

2. Nominal Lumens will vary depending on selected color, CRI, driver and reflector finish. [Reference Multiplier tables.](#)

4. IC rated up to 3000 lumens for 90 & 97 CRI

5. DMX fixtures default to full on upon loss of DMX signal.

6. Not available with Chicago Plenum.

7. ULus listed only

8. Not available with DLVP

11. Refer to system specifications for additional information, features, and benefits. Order either factory installed option or accessory. Use with 0-10V driver.

12. WLST = WaveLinX LITE tilemount sensor kit for daylight dimming, PIR motion sensing, use with D010 only (Refer to WaveLinX LITE system specifications)

13. WPST = WaveLinX wireless sensor kit for daylight dimming, PIR motion sensing, and optional RLTS - Real Time Location Services, use with 0-10V only.

14. Flange is the same finish as the reflector

15. Requires knife edge ring

16. Accessories sold separately will be separately analyzed under domestic preference.

17. Order trim with flange type 3.

18. Order die cast trim with flange type 4

19. For remote driver order emergency module with the remote driver.

20. 120V-277V

21. Non-IC

22. Used to bypass local control during outage. Must be used in conjunction with UL 1008 device (provided by others)

23. Limited to 2000 lumens

24. WPN = WaveLinX PRO wireless node provides luminaire level control with scene and zone configuration without an integrated sensor, Connects wirelessly with daylight dimming sensor and PIR motion sensor if desired. Use with D010 or DE010 drivers only.

25. WLN = WaveLinX LITE wireless node provides luminaire level control with scene and zone configuration without an integrated sensor, Connects wirelessly with daylight dimming sensor and PIR motion sensor if desired. Use with D010 or DE010 drivers only.

26. Not compatible with 347V or Chicago plenum.

Dimensional and Mounting Details

