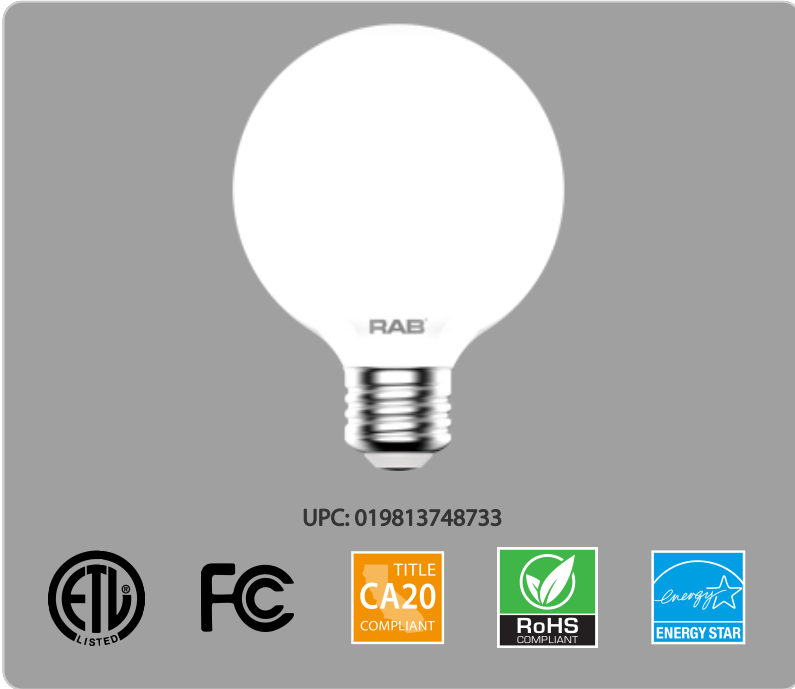


<b>Project:</b>	<b>Type:</b>	<b>Prepared By:</b>	<b>Date:</b>
-----------------	--------------	---------------------	--------------



**Features and Benefits**

- Replacement for conventional decorative lamps
- Filament LED construction gives a unique traditional look and feel for decorative and ambient applications
- Produces rich and vibrant colors, >90CRI
- Rated for use in enclosed and open fixtures in wet locations
- Longer lifespan compared to legacy equivalents minimizes replacement and maintenance costs
- Title 20 Compliant, ENERGY STAR Compliant, UL Listed
- Smooth uniform dimming down to 10% (check dimmer compatibility list)

Technical Specifications		
<b>Performance</b>	<b>Dimmable:</b>	<b>Other</b>
<b>Product Type:</b> Decorative	Yes, down to 10%	<b>Equivalency:</b> 40W Incandescent
<b>Input Wattage:</b> 3W	<b>Construction</b>	<b>Warranty (Years):</b> RAB warrants that our LED products will be free from defects in materials and workmanship for a period of three (3) years from the date of delivery to the end user, including coverage of light output, color stability, driver performance and fixture finish. RAB's warranty is subject to all terms and conditions found at <a href="http://rablighting.com/warranty">rablighting.com/warranty</a> .
<b>Lumens (Nominal):</b> 350lm	<b>Bulb Shape:</b> G25	<b>LED Characteristics</b>
<b>Efficacy:</b> 92 lm/W	<b>Finish:</b> Frosted	<b>Color Temperature:</b> 2700K Soft White
<b>Color Accuracy (CRI):</b> 90 CRI	<b>Base Type:</b> E26	<b>Electrical</b>
<b>L70 Lifespan:</b> 15,000 Hours	<b>Beam Angle:</b> 360°	<b>Power Factor:</b> 0.7
	<b>For Use Outdoors in Open Fixtures:</b> No	<b>Operating Temperature:</b> -20°C - 45°C

Technical Specifications (continued)

Electrical

Input Voltage:

120V

Electrical Characteristics

Flicker:

<30%

Compliance

ETL Qualified:

Yes

ENERGY STAR V2.0:

This product is ENERGY STAR® Version 2.0 Certified

Energy Star ID:

2330365

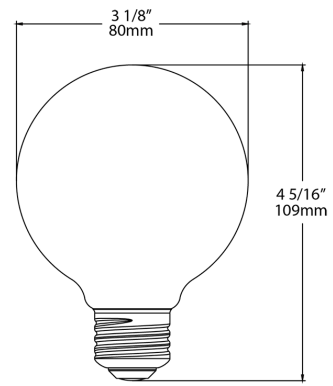
CEC Status:

Lawful for sale in California

Case and Pallet Dimensions

	QTY	LENGTH (in)	WIDTH (in)	HEIGHT (in)
CASE	6	10.4	7	5.7
PALLET	528	42.5	38.5	39.5

Dimension



Light Distribution

