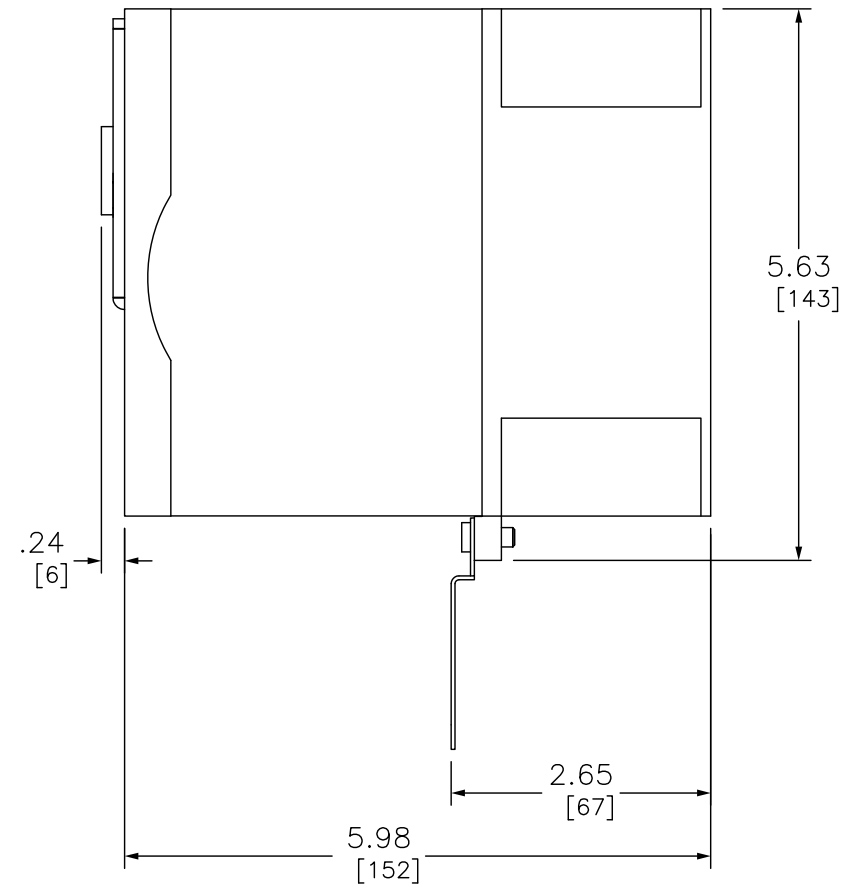


FRONT



RIGHT

DUAL DIMENSIONS: INCHES
MILLIMETERS

ATV312HU15M2
AC DRIVE 2 HP 240V 1 PHASE



DWG#
NO. ATV312HU15M2