
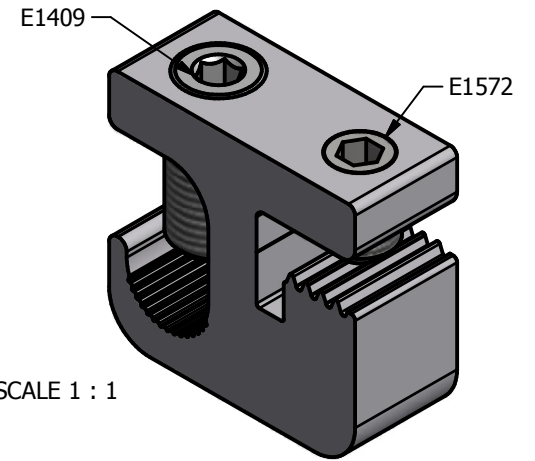
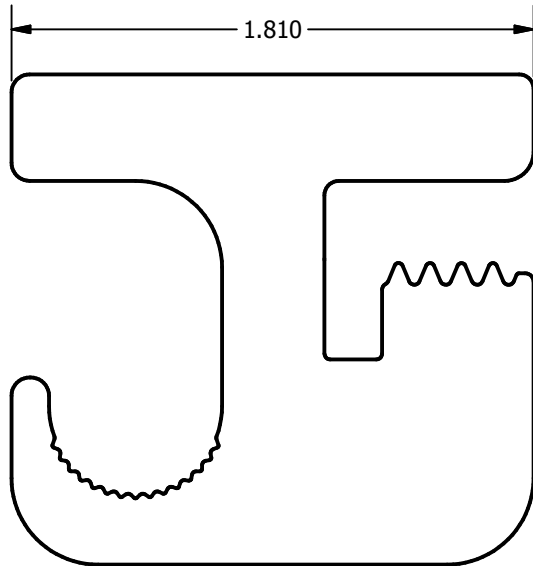
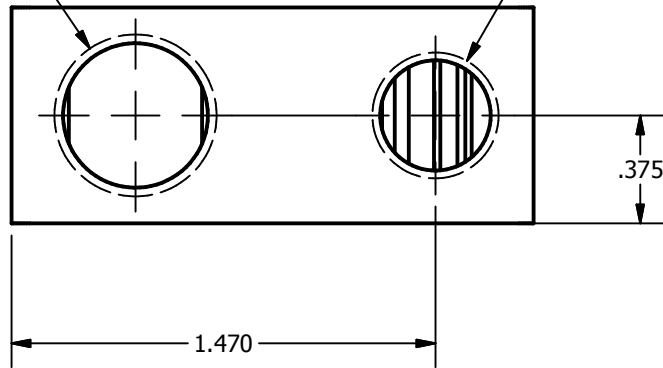


SCREW: E1409, E1572	MATERIAL: ALUMINUM	REV: A	<b>ILSCO</b> connections— matter	
CAT. NO.: SGB-250	PLATING: EL-TIN	DRAWN BY: DR	SCALE: 1.5 : 1	800-776-9775 www.ilsco.com
INFORMATION SHEET: FORM 218	MARKING: ILSCO, SGB-250, 250 - 6 STR, AL-CU	DATE: 12/2/2014	SIZE: A	DWG. NO. <b>G1053</b>
				SHEET: 1 OF 1

9/16-18 UNF - 2B      7/16-20 UNF - 2B THRU



SCALE 1 : 1

