
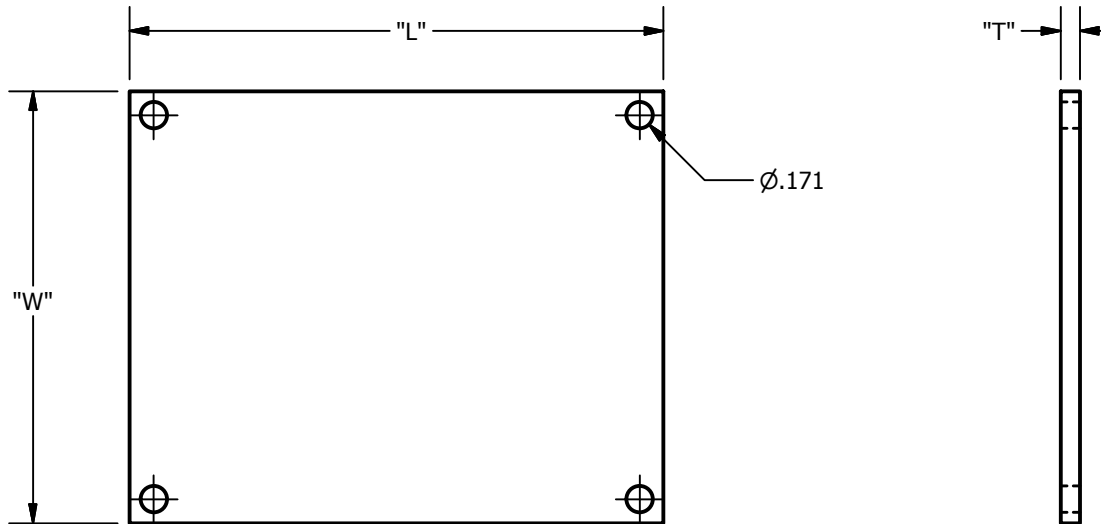


SCREW: NONE	MATERIAL: LEXAN	REV: A	 800-776-9775 www.ilsco.com		
CAT. NO.: SEE TABLE	PLATING: NONE	DRAWN BY: SES			SCALE:1:1
INFORMATION SHEET: NONE	MARKING: NONE	DATE:3/19/2015			SIZE: A
			DWG. NO.	R2058-R2071	
			SHEET: 1 OF 1		



CAT NO.	"L"	"W"	"T"
C-6-1	4.50	2.87	.06
C-6-2	4.50	5.56	.06
C-6-3	4.50	8.28	.06
C-2-1	2.40	.77	.06
C-2-2	2.40	1.42	.06
C-2-3	2.40	2.05	.06
C-2-4	2.40	2.68	.06
C-4-1	2.40	2.4	.06
C-4-2	3.38	3.31	.06
C-4-3	3.38	4.84	.06
C-5-1	4.00	2.12	.06
C-5-2	4.00	4.00	.06
C-5-3	4.00	5.87	.06