



Color: Black

Weight: 1.6 lbs

<b>Project:</b>	<b>Type:</b>
<b>Prepared By:</b>	<b>Date:</b>

Driver Info		LED Info	
Type	Constant Current	Watts	20W
120V	0.17A	Color Temp	N/A
208V	N/A	Color Accuracy	N/A
240V	N/A	L70 Lifespan	N/A
277V	N/A	Lumens	2,023-2,096 lm
Input Watts	19.3-19.4W	Efficacy	104.3-108.6 lm/W

**Technical Specifications**

**Compliance**

**UL Listed:**

Suitable for wet locations

**Trade Agreements Act Compliant:**

This product is a product of Cambodia and a "designated country" end product that complies with the Trade Agreements Act

**DLC Listed:**

This product is on the Design Lights Consortium (DLC) Qualified Products List and is eligible for rebates from DLC Member Utilities. Designed to meet DLC 5.1 requirements.  
DLC Product Code: S-8WLTMS

**Sensor Settings**

**Operating Voltage:**

120 Vac @ 60Hz

**Operating Current:**

0.17A

**Light Output:**

10% to 100% stepless dimmer

**Detection Area/Sensor Sensitivity:**

30% ~100%

**Detection Area:**

Maximum diameter 50ft 160°

**Hold Time:**

5s~10min

**Threshold Daylight Sensor:**

5~2000 Lux

**Color Temperature:**

Min 3000K to Max 5000K field-adjustable

**Detection Angle:**

160°

**Mounting Height:**

Max 10 ft (Wall or Eaves mounted/Ceiling mounted)

**Detection Range:**

Max radius 50 ft (wall mounted)

**Operating Temperature:**

-4°F to 122°F (-20°C to 50°C)

**IP Rating:**

IP65

**Surge Protection:**

1 kV

**Lifespan:**

100,000-Hour LED lifespan based on IES LM-80 results and TM-21 calculations

**IC:**

ASCHIP

**Dimming:**

0-10V

**Total Lumen:**

2200lm

**Construction**

**Effective Projected Area:**

2000 square foot

**Housing:**

Polycarbonate

**Lens:**

Polycarbonate lens

**Reflector:**

Polycarbonate

**Tunable Switch Settings**

**Dimmer:**

Minimum Setting (from): 0% brightness

Maximum Setting (up to): 100% light output

**Color:**

Minimum Setting (from): 3000K

Maximum Setting (up to): 5000K

**Technical Specifications (continued)**

**Photocell:**

Minimum Setting (from): The light turns on only when it is dark enough

Maximum Setting (up to): The light will turn on in the daylight, sunset or in the darkness

**Time:**

Minimum Setting (from): The light turns OFF after 5 sec. when no motion is detected.

Maximum Setting (up to): The light turns OFF after 10 min. when no motion is detected.

**Sens:**

Minimum Setting (from): 30% for short detection range (min 10 ft.)

Maximum Setting (up to): 100% for long detection range (max 50 ft.)

**Other**

**5-Year Limited Warranty:**

The RAB 5-year, limited warranty covers light output, driver performance and paint finish. RAB's warranty is subject to all terms and conditions found at [rablighting.com/warranty](http://rablighting.com/warranty).

**Electrical**

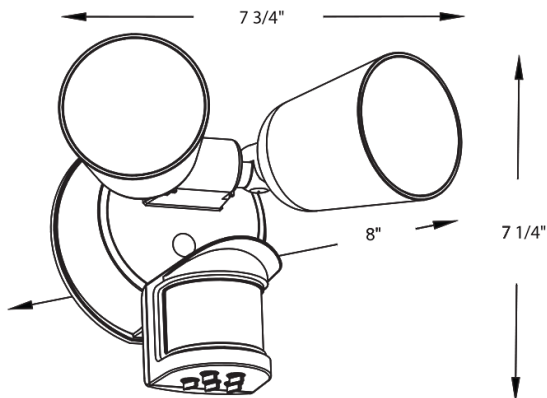
**THD:**

11.36% at 120V

**Power Factor:**

98.2% at 120V

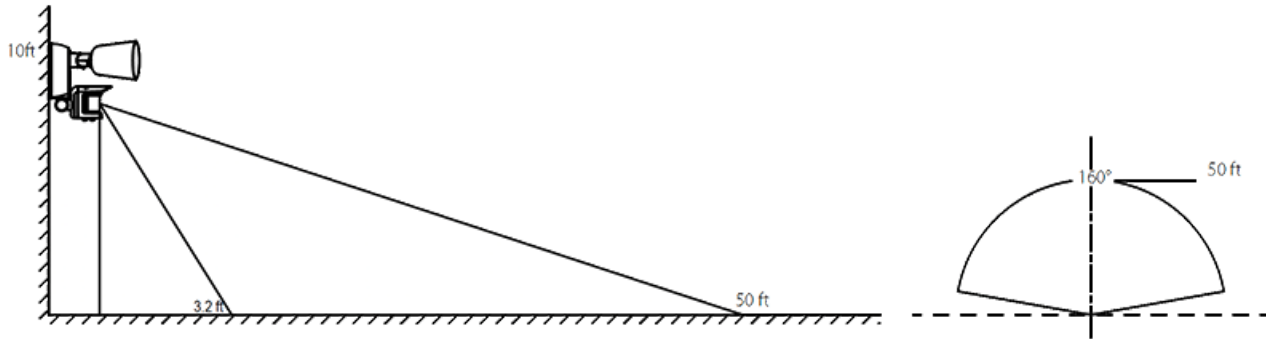
**Dimensions**



**Features**

- 100,000-Hour LED lifespan
- DLC Listed
- 5-Year, limited warranty

Coverage Pattern



Ordering Matrix

Family	Wattage	Color Temp	Finish	Driver
LU160			B	
	Blank = 20W	Blank = 3000K to 5000K Tunable	Blank = Bronze W = White B = Black	Blank = 120V